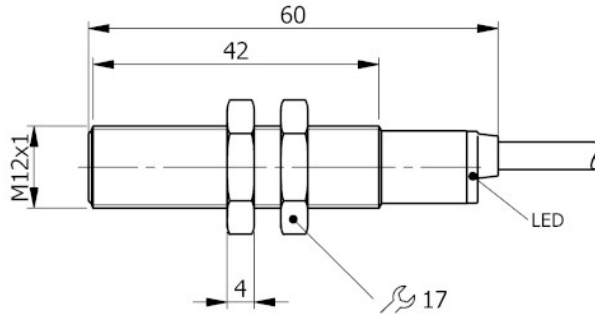


Part number: **I12000001** Model: **SI12-A2 NC**



Dimension in mm

1. TECHNICAL CHARACTERISTICS



Electrical data

| | | |
|--------------------|-----|---------------------|
| Power supply type: | | Alternating current |
| Working voltage: | [V] | 20 ÷ 250 |
| Protection class: | | III |

Outputs

| | | |
|--------------------------|------|-----|
| Function: | | NC |
| Max voltage drop: | [V] | < 6 |
| Max output current: | [mA] | 300 |
| Minimum output current: | [mA] | 5 |
| Max peak current: | [A] | 1.5 |
| Residual current: | [mA] | < 1 |
| Max switching frequency: | [Hz] | 12 |

Detection zone

| | | |
|---------------------------|------|----------|
| Switching distance-Sn: | [mm] | 2 |
| Real sensing distance-Sr: | [mm] | 2 ±10% |
| Operative distance-So: | [mm] | 0 ÷ 1.62 |

Accuracy and Deviations

| | | |
|------------------------|-------|--|
| Correction factor: | | Stainless steel: 0.9 - Brass: 0.5 - Aluminium: 0.4 - Copper: 0.4 |
| Hysteresis: | [%Sr] | < 10 |
| Switching point drift: | [%Sr] | -10 ÷ +10 |
| Repeatability: | [%Sn] | < 3 |

Environmental conditions

| | | |
|---------------------|------|----------------|
| Temperature limits: | [°C] | -25 ÷ +70 |
| IP rating: | | IP65-IP66-IP67 |

Display and control elements

| | | |
|----------|--|---|
| Display: | | Output switching status - 1 x LED: Yellow |
|----------|--|---|

Mechanical data

| | |
|---------------------|---|
| Housing: | Threded type |
| Thread designation: | M12x1 |
| Dimensions: [mm] | M12x1 - L=60 |
| Materials: | Housing: Nickel-plated brass - Sensing area: POM bluee - Lock nuts: Nickel-plated brass |
| Mounting: | Embeddable |
| Weigth: [g] | 80 |

Electrical connection

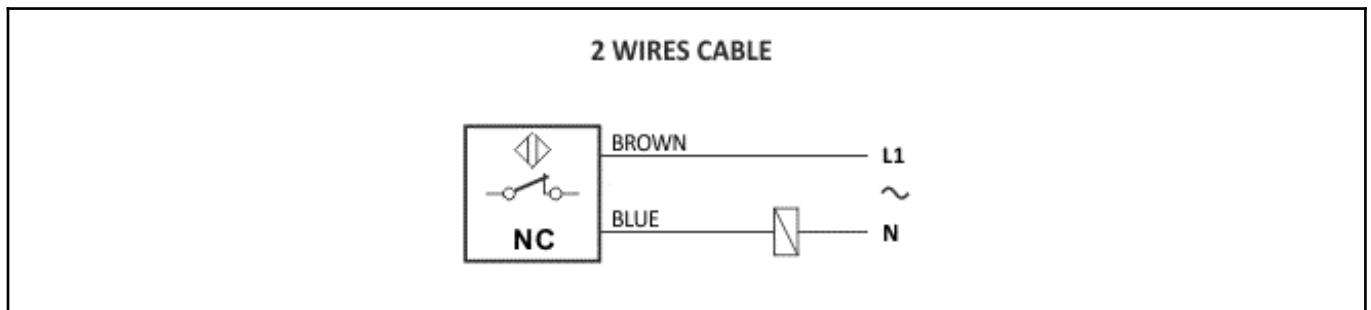
| | |
|--------|--|
| Cable: | 2 m - PVC/PVC - 2 x 0.25 mm ² |
|--------|--|

Compliance to Standards / Directives

| | |
|------------------------|--|
| Directives compliance: | 2014/30/EU -Electromagnetic compatibility directive (EMC) 2014/35/UE -Low voltage directive (LVD) |
| Standards compliance: | EN60947-5-2 - Product standard |

2. NORME DI INSTALLAZIONE

WIRING DIAGRAM



INSTRUCTIONS FOR CORRECT INSTALLATION

