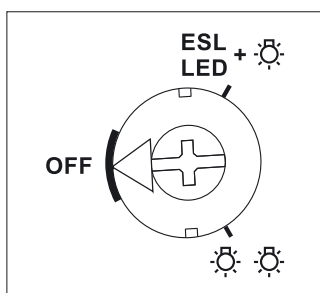




**Function rotary switch**



Standard setting ex works.

The switching mode **"one lamp"** (☼) or **"additional lamps"** (☼☼) is set with a rotary switch on the front.

**This setting must be same as the actual installation, otherwise there is a risk of destruction of the electronics.**

Alternative setting for 230 V LED and ESL when the universal dimmer switch in operated in the LED or ESL comfort settings. See page 9-8.

Technical data page 9-24.  
Housing for operating instructions GBA14, see accessoires, chapter Z.

# LUD12-230V

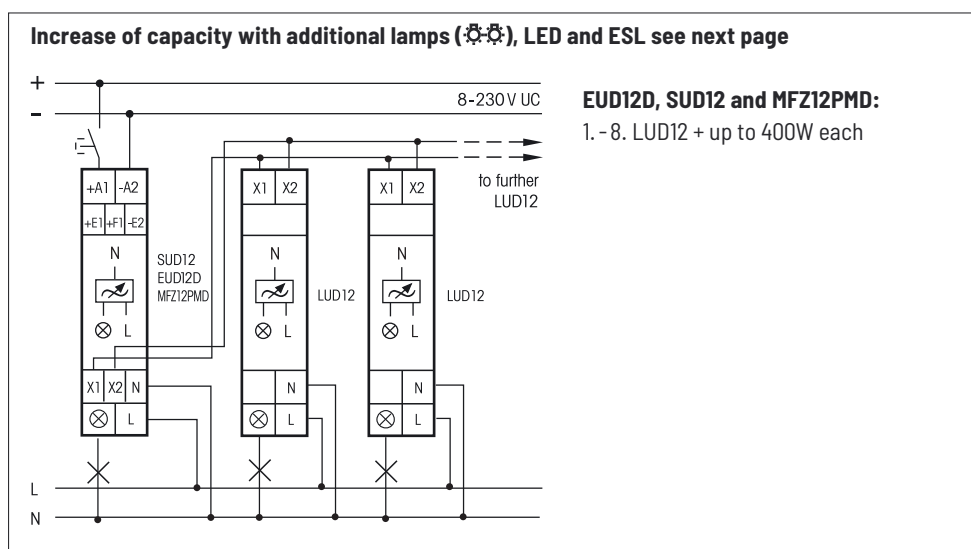
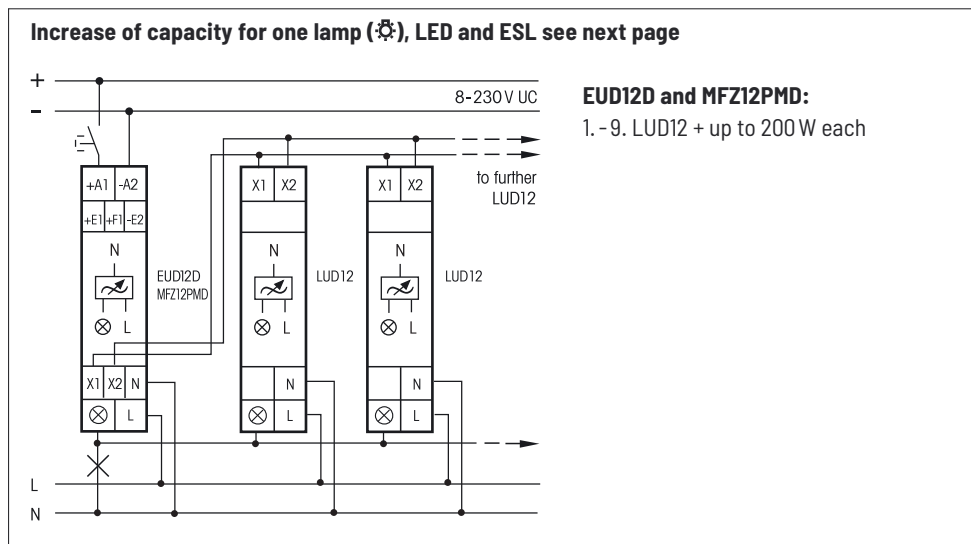


**Capacity enhancer for universal dimmer switches. Power MOSFET up to 400 W. Standby loss 0.1 watt only.**

Modular device for DIN EN 60715 TH35 rail mounting. 1 module = 18 mm wide, 58 mm deep. Capacity enhancers LUD12-230V can be connected to the universal dimmer switches EUD12D, SUD12 (1-10 V input) and the multifunction time relay MFZ12PMD. By this the switching capacity for **one lamp** will be increased up to 200 W or **alternatively for additional lamps** up to 400 W per each capacity enhancer. Dimmable 230 V LED lamps and dimmable energy saving lamps are also dependent on the lamp electronics. Both switching modes for increase of capacity can be executed simultaneously. Automatic lamp detection in the "Capacity increase **with additional lamps**" setting. Supply voltage 230 V.

Automatic electronic overload protection and over-temperature switch-off. In the mode "Increase of capacity with additional lamps" the kind of load of a capacity enhancer LUD12-230V can vary from the kind of load of the universal impulse dimmer switch.

**Therefore it is possible to mix L loads and C loads.**



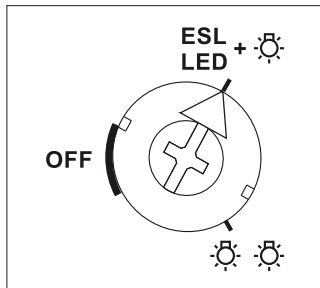
<b>LUD12-230V</b>	Power MOSFET up to 400 W	EAN 4010312107867	
-------------------	--------------------------	-------------------	--



# LUD12-230V

Capacity increase with capacity enhancer LUD12 for dimmable 230 V LED lamps and dimmable energy saving lamps ESL in the LED and ESL comfort settings.

## Function rotary switch

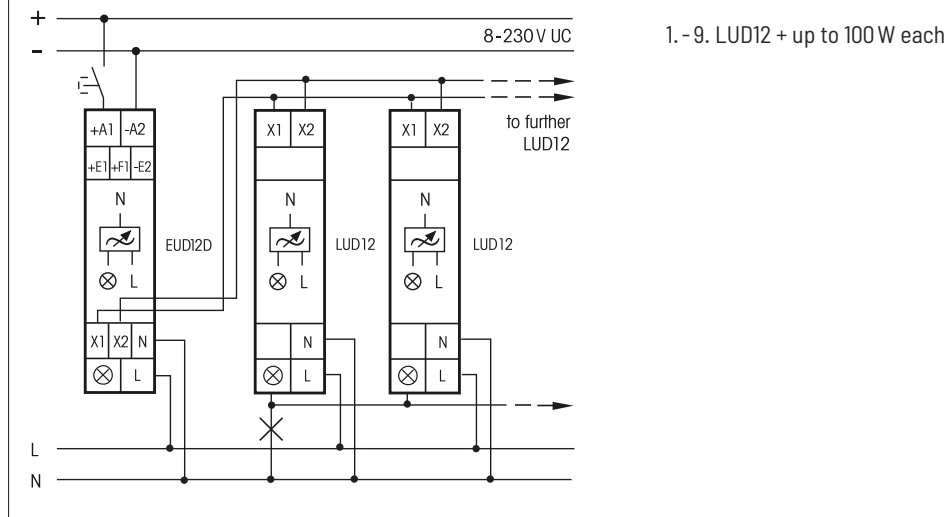


Standard setting ex works.

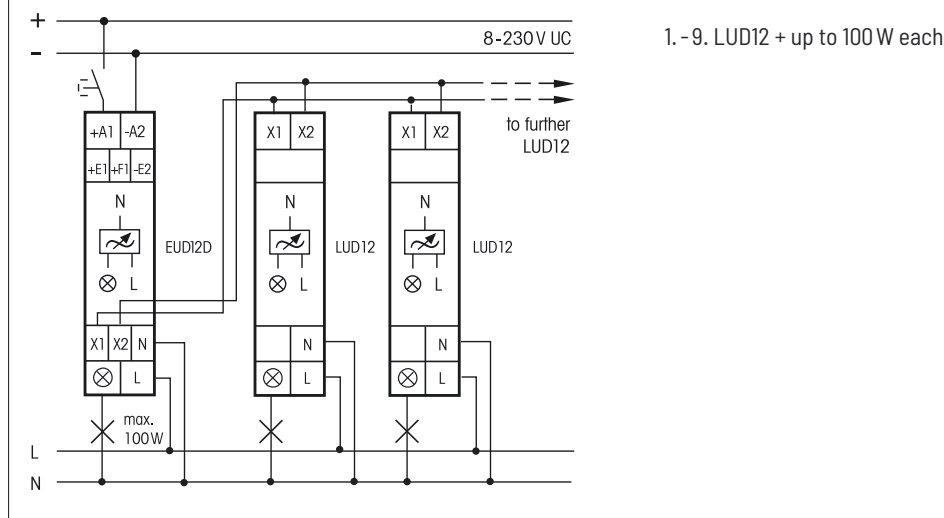
This setting must be made on the front panel of 230 V LED lamps and ESL if the universal dimmer switch is operated in the LED or ESL comfort settings. Also for capacity increase with additional lamps.

**Otherwise there is a risk of destruction of the electronics.**

### Increase of capacity for one lamp



### Increase of capacity with additional lamps



Technical data page 9-24.  
Housing for operating instructions GBA14,  
see accessoires, chapter Z.

<b>LUD12-230V</b>	Power MOSFET up to 400 W	EAN 4010312107867	
-------------------	--------------------------	-------------------	--