

RAMSES 741

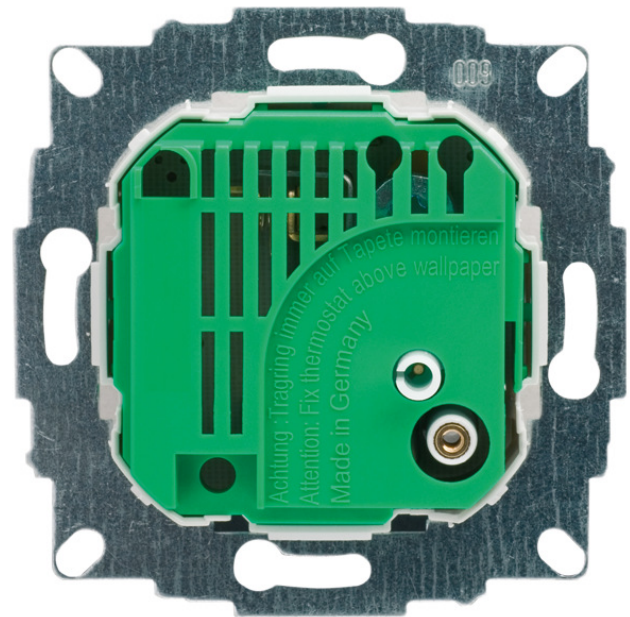
Item no.: 7410130

theben

Climate control
Room thermostats

Description

- Room temperature controller with thermal feedback
- Supplied as replacement device without frame, central part and setting button
- Frame, central part and setting button available as accessories
- Central part fits nearly all frames using an adapter frame from the switch manufacturer
- Ideal controller for refurbished and new build properties

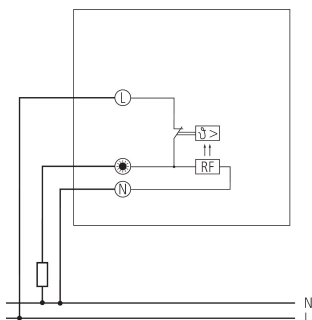


Technical data

RAMSES 741	
Operating voltage	230 – 240 V AC
Frequency	50 – 60 Hz
Type of contact	NC contact
Switching capacity	10 A (at 230 V AC, $\cos \varphi = 1$), 4 A (at 230 V AC, $\cos \varphi = 0.6$)
Setting range temperature	5°C ... 30°C

RAMSES 741	
Function	Mechanical
Hysteresis	-
Control accuracy	approx. 0.5 K, thermal recirculation
Installation type	Flush-mounted
Protection class	II according to EN 60 730-1

Connection example



Subject to technical changes and misprints

additional information at: www.theben.de/product/7410130

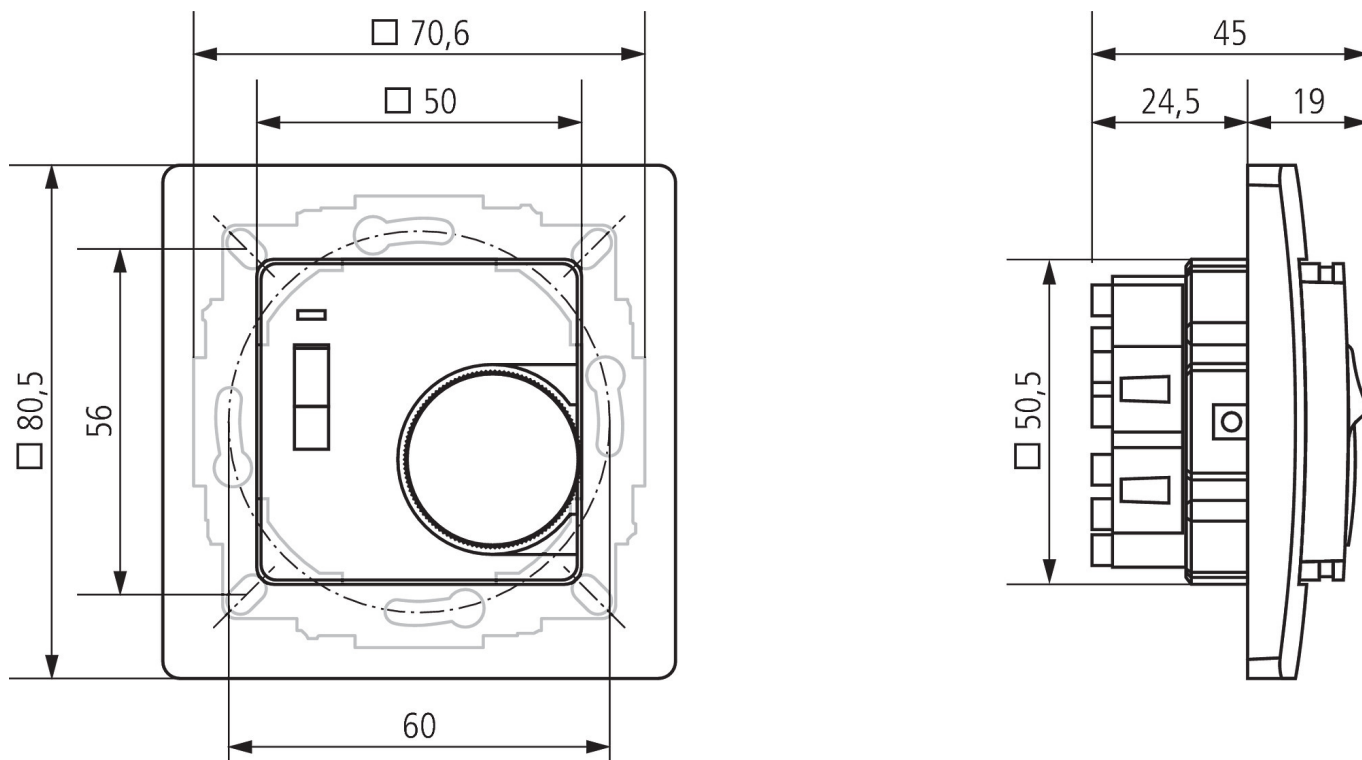
The load data are determined with exemplary selected illuminants and are therefore typical data due to the large number of available products.

RAMSES 741

Item no.: 7410130

theben

Scale drawings



Accessories

Central part RAMSES 741/748
Item no.: 9070602

Frame RAMSES 74x
Item no.: 9070603

Actuator ALPHA 5 230 V
Item no.: 9070441



Subject to technical changes and misprints

additional information at: www.theben.de/product/7410130

The load data are determined with exemplary selected illuminants and are therefore typical data due to the large number of available products.