

theben-timer 26

Item no.: 0260030

theben

Time and light control
Analogue time switches

Description

- Analogue plug-in timer
- 1 channel
- Without power reserve
- Synchronised with mains
- Use with earthed sockets
- Switching preselection
- Switching status display



Technical data

theben-timer 26	
Operating voltage	230 V AC
Frequency	50 Hz
Number of channels	1
Installation type	Plug-in
Type of connection	Plug-in
Program	Daily program
Switching capacity at 250 V AC, $\cos \varphi = 1$	16 A
Switching capacity at 250 V AC, $\cos \varphi = 0,6$	4 A
Incandescent/halogen lamp load	3500 W
LED lamp < 2 W	40 W
LED lamp 2-8 W	400 W

theben-timer 26	
LED lamp > 8 W	400 W
Shortest switching times	15 min
Programmable every	15 min
Time accuracy at 25 °C	Synchronised with mains
Type of contact	NO contact
Number of switching segments	96
Stand-by consumption	~0.8 W
Housing and insulation material	High-temperature resistant, self-extinguishing thermoplastic
Type of protection	IP 20
Protection class	II according to EN 60 730-1
Ambient temperature	-40°C ... 55°C

Subject to technical changes and misprints

additional information at: www.theben.de/product/0260030

The load data are determined with exemplary selected illuminants and are therefore typical data due to the large number of available products.

15/04/2022

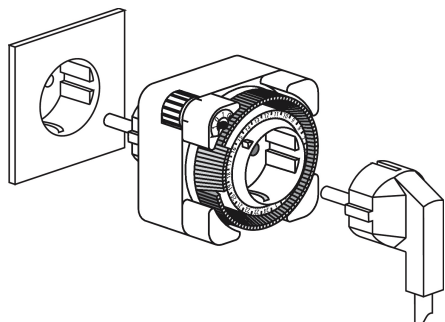
Page 1 of 2

theben-timer 26

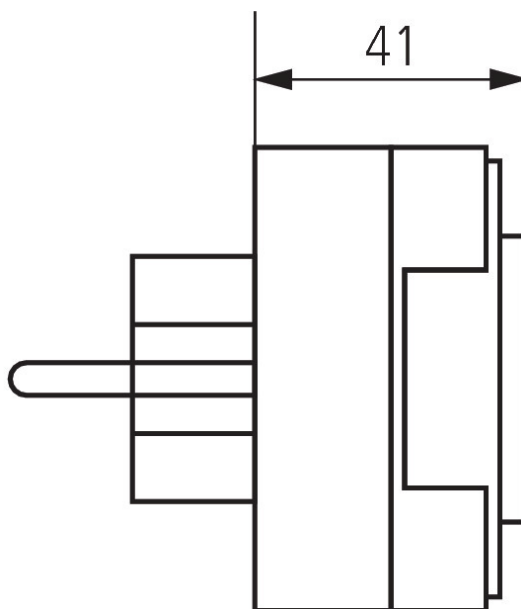
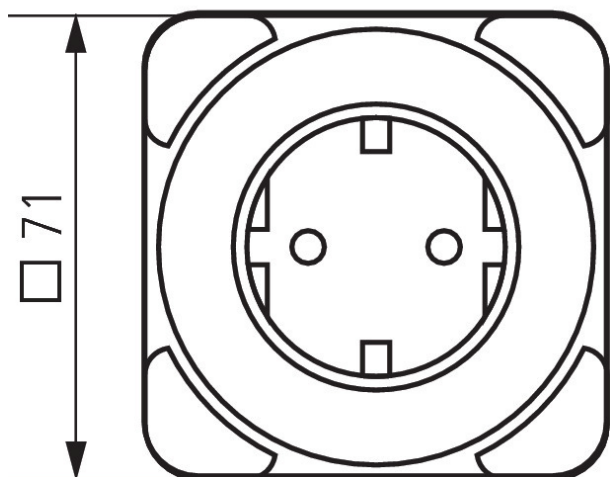
Item no.: 0260030



Connection example



Scale drawings



Subject to technical changes and misprints

additional information at: www.theben.de/product/0260030

The load data are determined with exemplary selected illuminants and are therefore typical data due to the large number of available products.

15/04/2022

Page 2 of 2