

Description



- Analogue twilight switch
- External light sensor included in delivery
- DuoFix spring terminals
 - for 2 conductors per connection terminal
- Fixed On and Off switching delay
 - to avoid faulty operation caused by lightning, car headlights etc.
- Display of channel and switching status
- Test function
 - for monitoring installation independent of set brightness value
- Infinitely adjustable switching brightness

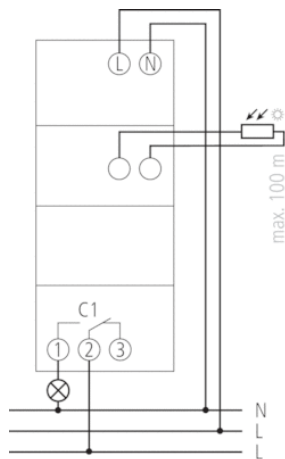
Technical data

Operating voltage	220 – 240 V AC
Frequency	50 – 60 Hz
Number of channels	1
Stand-by consumption	~1,1 W
Capacity loss max.	1,4 W
Setting range brightness	2 – 2000 lx
Switch-on delay	60 s
Switch-off delay	60 s
Type of contact	Changeover contact
Switching output	Potential-free
Width	2 modules
Installation type	DIN rail
Type of connection	DuoFix spring terminals
Keyboards	1 potentiometer, 1 test button
Switching capacity	16 A (at 250 V AC, $\cos \varphi = 1$), 10 AX (Fluorescent lamp load)
Switching capacity min.	<10 mA
Incandescent lamp load	2300 W
Halogen lamp load	2300 W
Fluorescent lamp load (conventional) not corrected	2300 VA
Fluorescent lamp load (conventional) series-corrected	2300 VA
Fluorescent lamp load (conventional) lead-lag circuit	2300 VA
Fluorescent lamp load (conventional) parallel-corrected	400 VA 42 μ F
LED lamp < 2 W	20 W
LED lamp 2-8 W	55 W
LED lamp > 8 W	70 W
Energy saving lamps	90 W

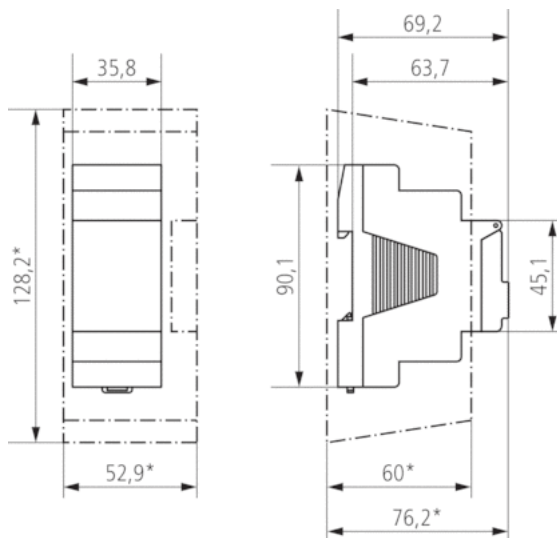
Article number: 1090100

Fluorescent lamp load (electronic ballast)	300 W
Test approval	VDE
Lichtsensoren	Surface-mounted light sensor
Housing and insulation material	High-temperature resistant, self-extinguishing thermoplastic
Ambient temperature	-30 °C ... +55 °C
Type of protection	IP 20, sensor IP 55
Protection class	II, Sensor III
Max. cable length to sensor	100 m

Connection example



Scale drawings



Accessories

Analogue surface-mounted light sensor

- Article number: 9070416
[Details ▶ www.theben.de](http://www.theben.de)



Analogue flush-mounted light sensor

- Article number: 9070011
[Details ▶ www.theben.de](http://www.theben.de)



Wall mounting kit 35 mm

- Article number: 9070064
[Details ▶ www.theben.de](http://www.theben.de)



Front panel kit

- Article number: 9070001
[Details ▶ www.theben.de](http://www.theben.de)

