

EKM 2050/2051 SK

IEC 60439 - 1 / VDE 0660 T505

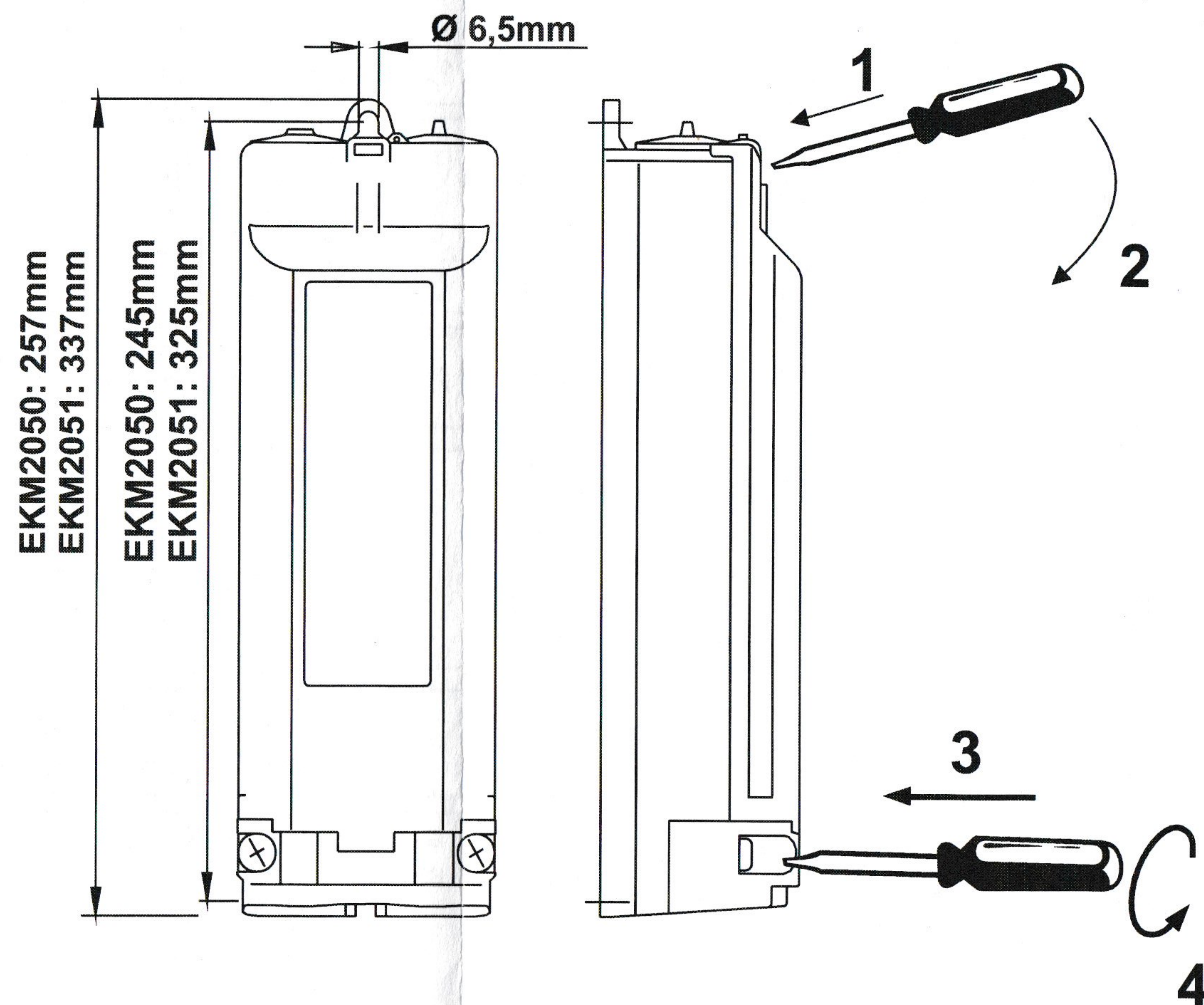
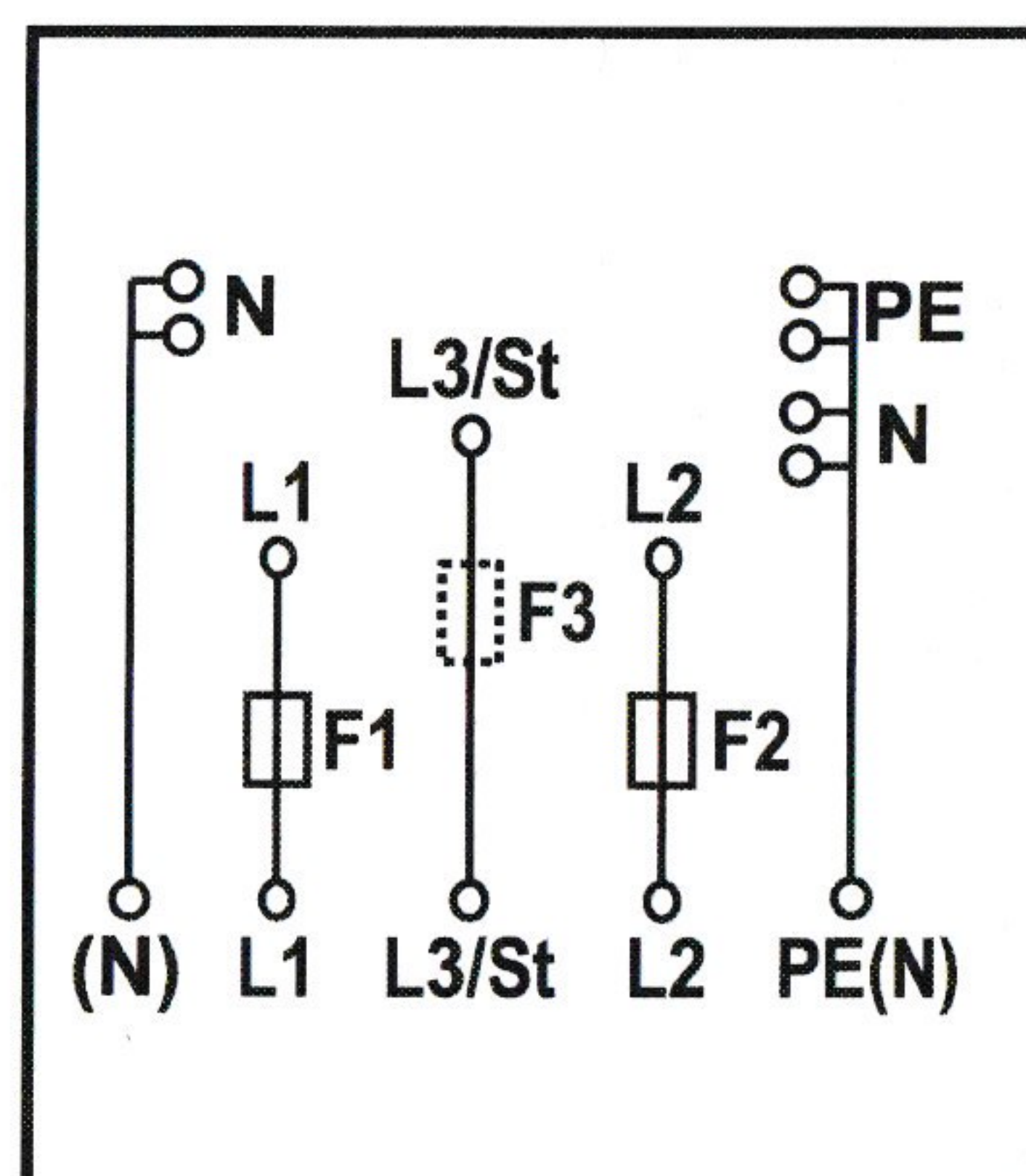
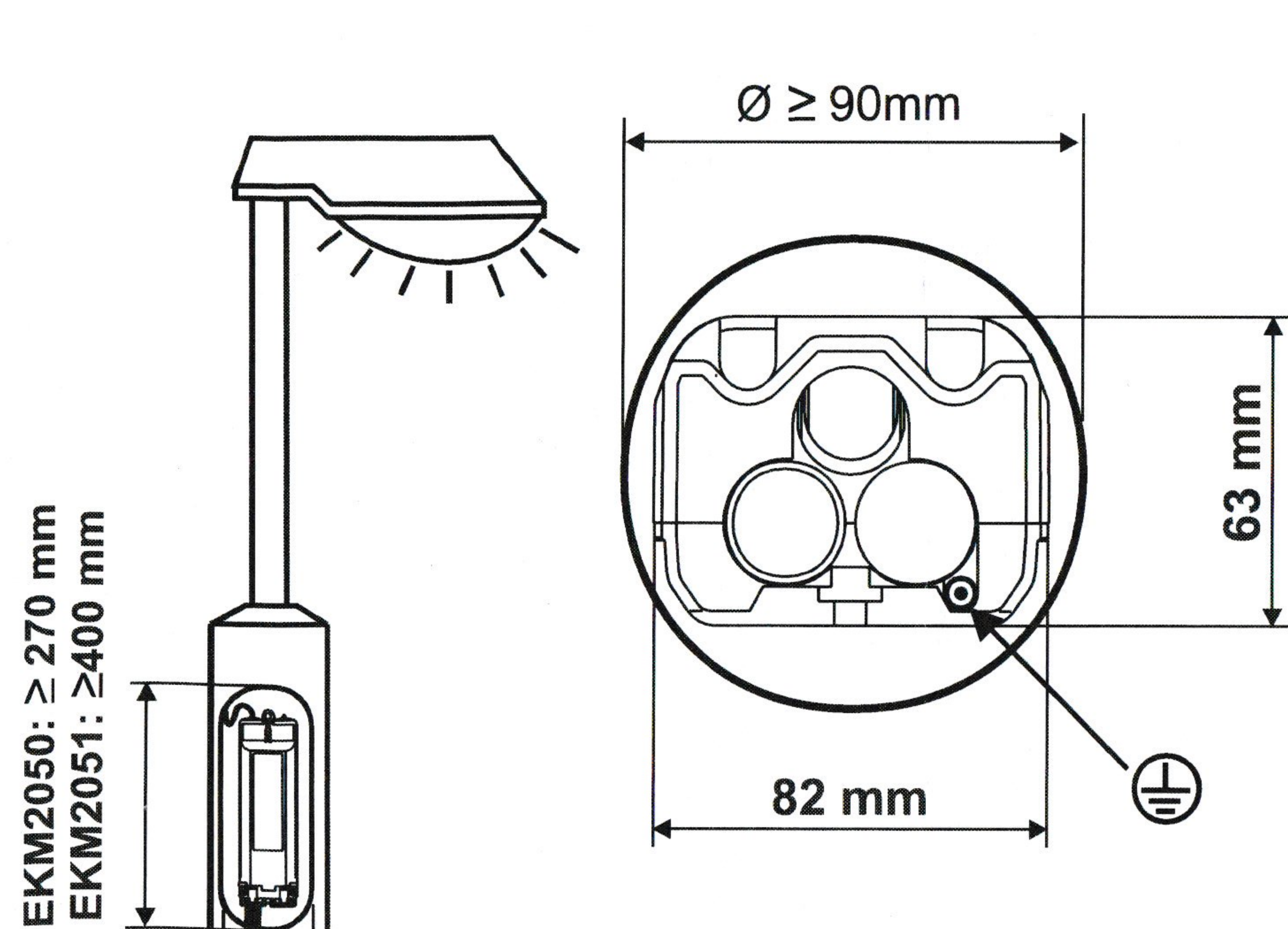
16A / AC 400V / 50 Hz / IP54 / □

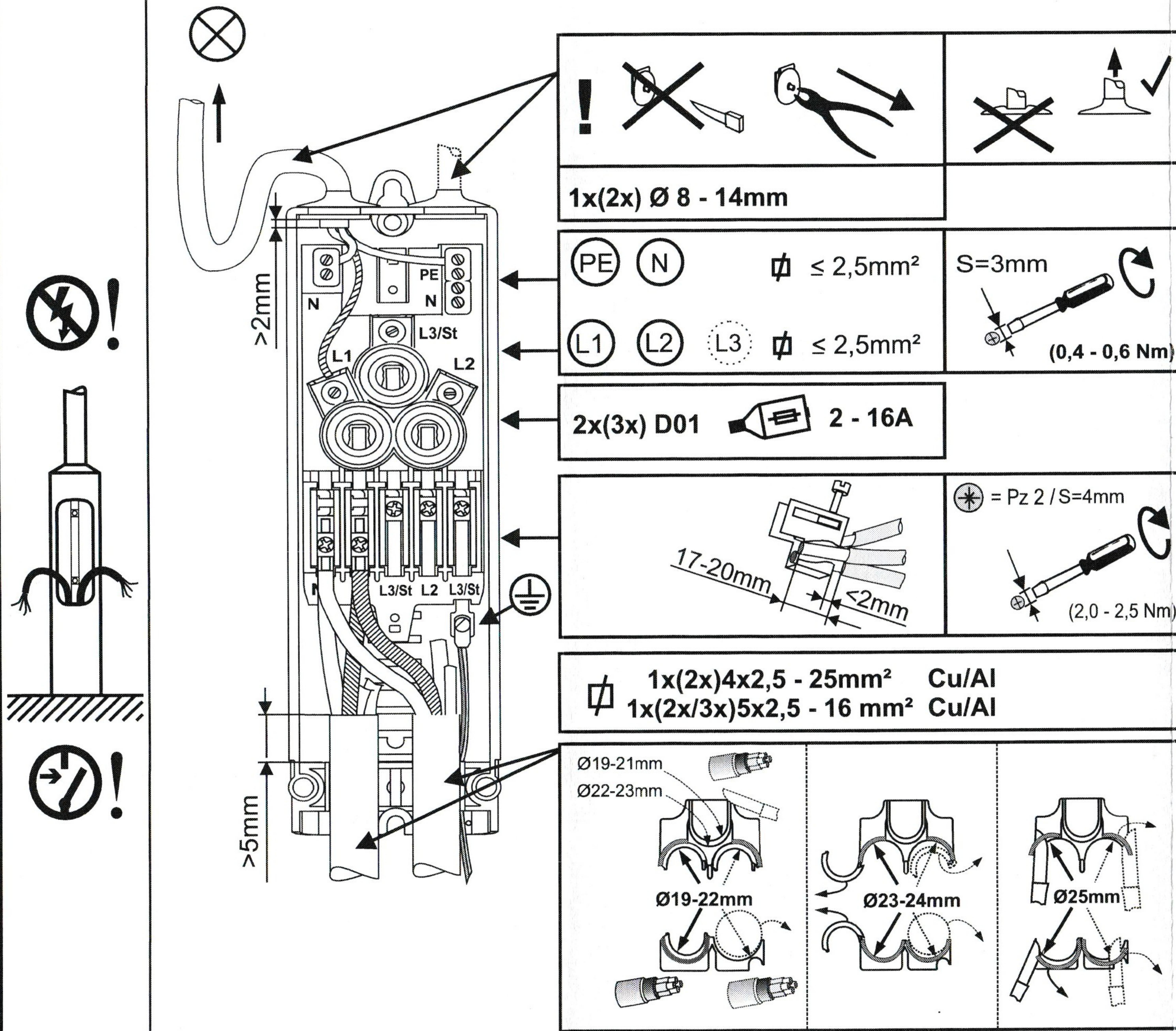
Short-circuit withstand capability : 6 kA

Type of inner subdivision: Form 1 / EMC - environments: 1



streetlight_support@te.com





--	--

1x(2x) Ø 8 - 14mm

(PE) (N) $\varnothing \leq 2,5\text{mm}^2$	S=3mm
(L1) (L2) (L3) $\varnothing \leq 2,5\text{mm}^2$	(0,4 - 0,6 Nm)

2x(3x) D01 2 - 16A

	= Pz 2 / S=4mm (2,0 - 2,5 Nm)
--	----------------------------------

\varnothing 1x(2x)4x2,5 - 25mm² Cu/Al
 1x(2x/3x)5x2,5 - 16 mm² Cu/Al

