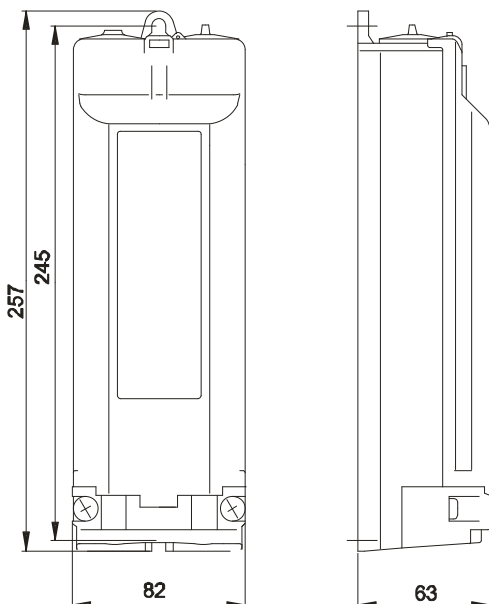
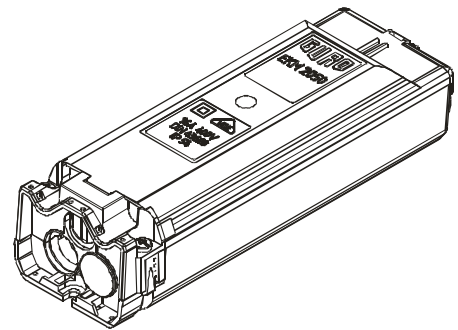
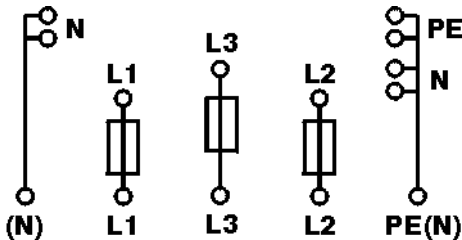


EKM-2050-3D1-5S/U-I
Art.-Nr.: A95277-000 (JOR-88918)

Fuse boa for lighting application EKM 2050
according to DIN 43628 / VDE 0660 T. 505 - with VDE-Symbol
 explanation SK (for installation in lighting columns)

- protection class II
 - ingress protection IP 54
 - minimum diameter 89 mm
 - door opening minimum 85 x 270 mm
 - l x w x h: 257 x 82 x 63 mm
 - transparent cover with snap lock
 - protection cover
 - compact-terminal block comprising:
 - 3 fuse bases 16 A / D01-E 14,
 - 3 screw caps E 14
 - 5 sliding terminals
 - rail connection (brass rails, nickel-plated)
 - fully insulated PE- and N- output terminals
 - entry terminals for 2 cables to 4 x 25 mm² or 3 cables to 5 x 16 mm²
 - type of mains: (N), L1, L3, L2, PE(N)
 - 2 pole clamping screws M 6 x 12
 - cable entry: cable clamp for 1 cable to 3 cable Ø 19-22 mm
 - output: 2 cable glands, cables Ø 8-14 mm
- Two additional luminaire cables can be routed towards the bottom of the box.

circuit diagram:



Cable entry

