

# DIV gG 80A/500V



## Specifications

ETI Code	002314401
Description	DIV gG 80A/500V
Weight	125
Level	Fuse links gG
Rated current (A)	80
Type	D
Size	DIV
Characteristics	gG
Rated AC voltage (V)	500
Rated DC voltage (V)	250
Dimensions	R1 1/4
Indicator	Top fuse status indicator
Breaking capacity AC (kA)	50
Breaking capacity DC (kA)	8
Standards	DIN EN 60269-1, DIN EN 60269-3
Application	For cable protection
Breaking capacity AC (kA)	50
Breaking capacity DC (kA)	8
Dimensions	R1 1/4
Indicator	Top fuse status indicator
Standards	DIN EN 60269-1, DIN EN 60269-3

[Online product page](#)

## Other documentation



[Technical data catalogue](#)  
[EU declaration](#)

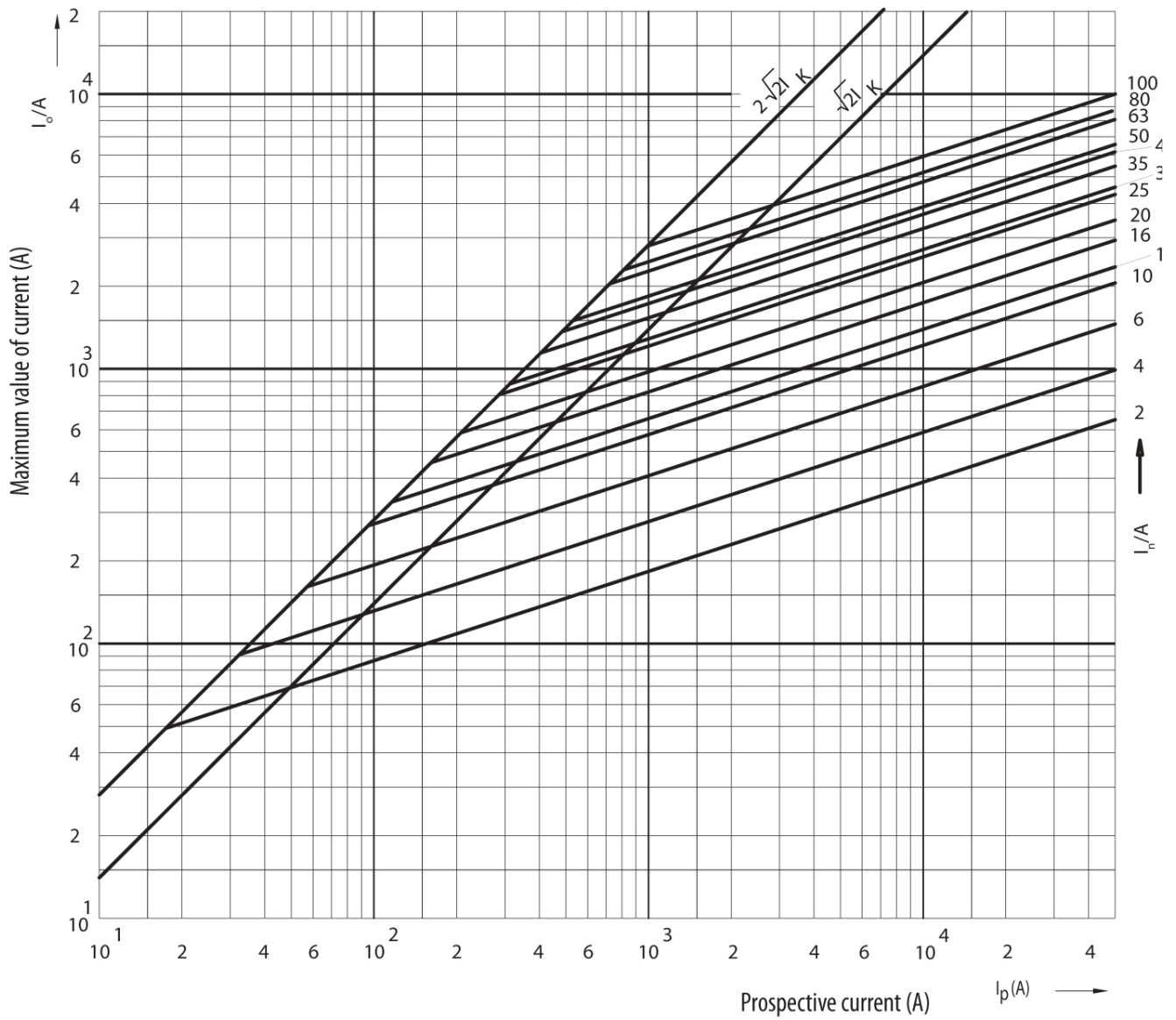


## ETIM international classification

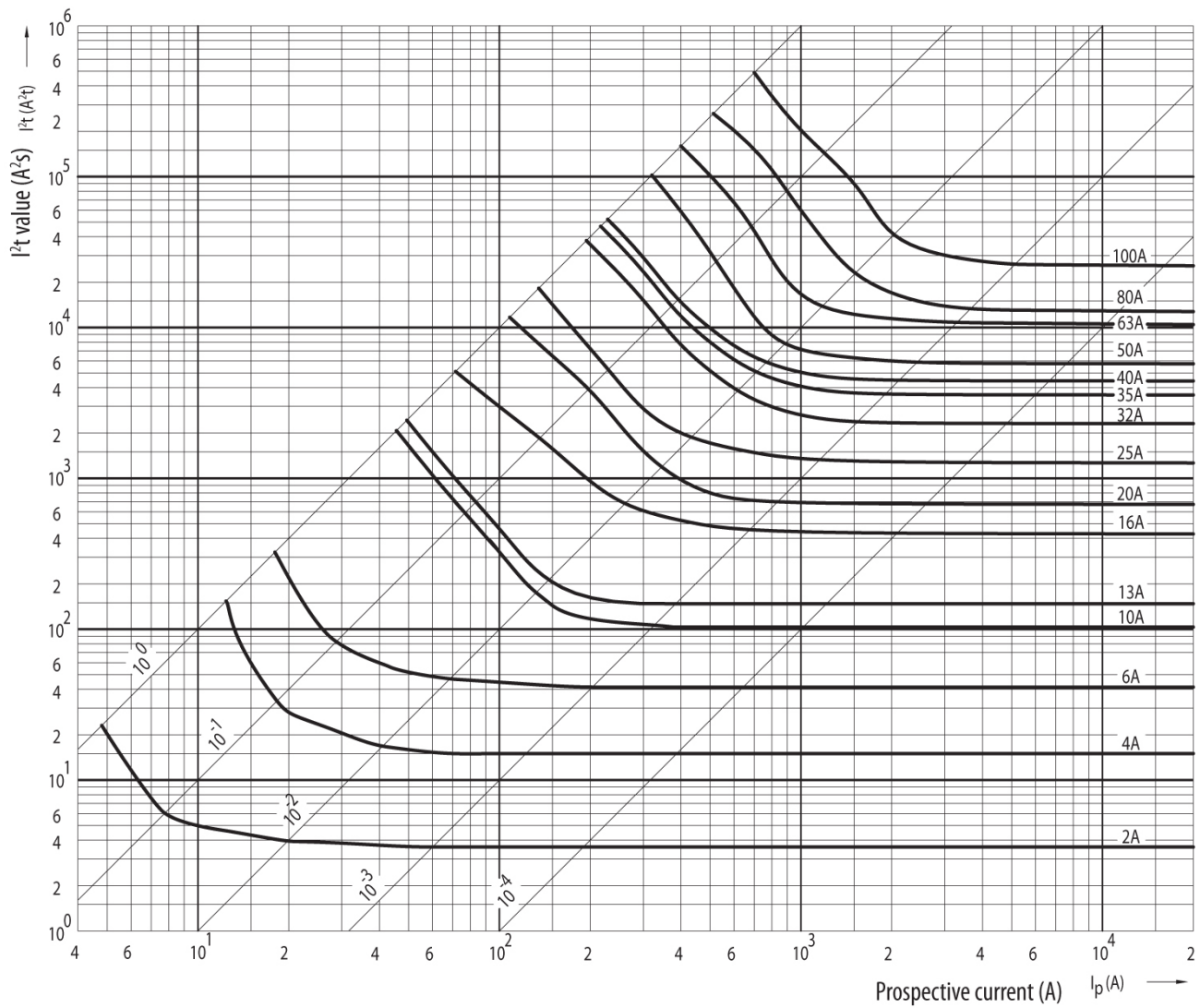
Application	For cable protection
Nominal rated current	80A
Nominal rated voltage	500V
Release characteristic	Time-lag
Colour code	Silver
Construction size	DIV
Type of fuse status indicator	Top fuse status indicator
Breaking capacity	50
Rated voltage at DC	250
Max. rated operation voltage Ue AC	500



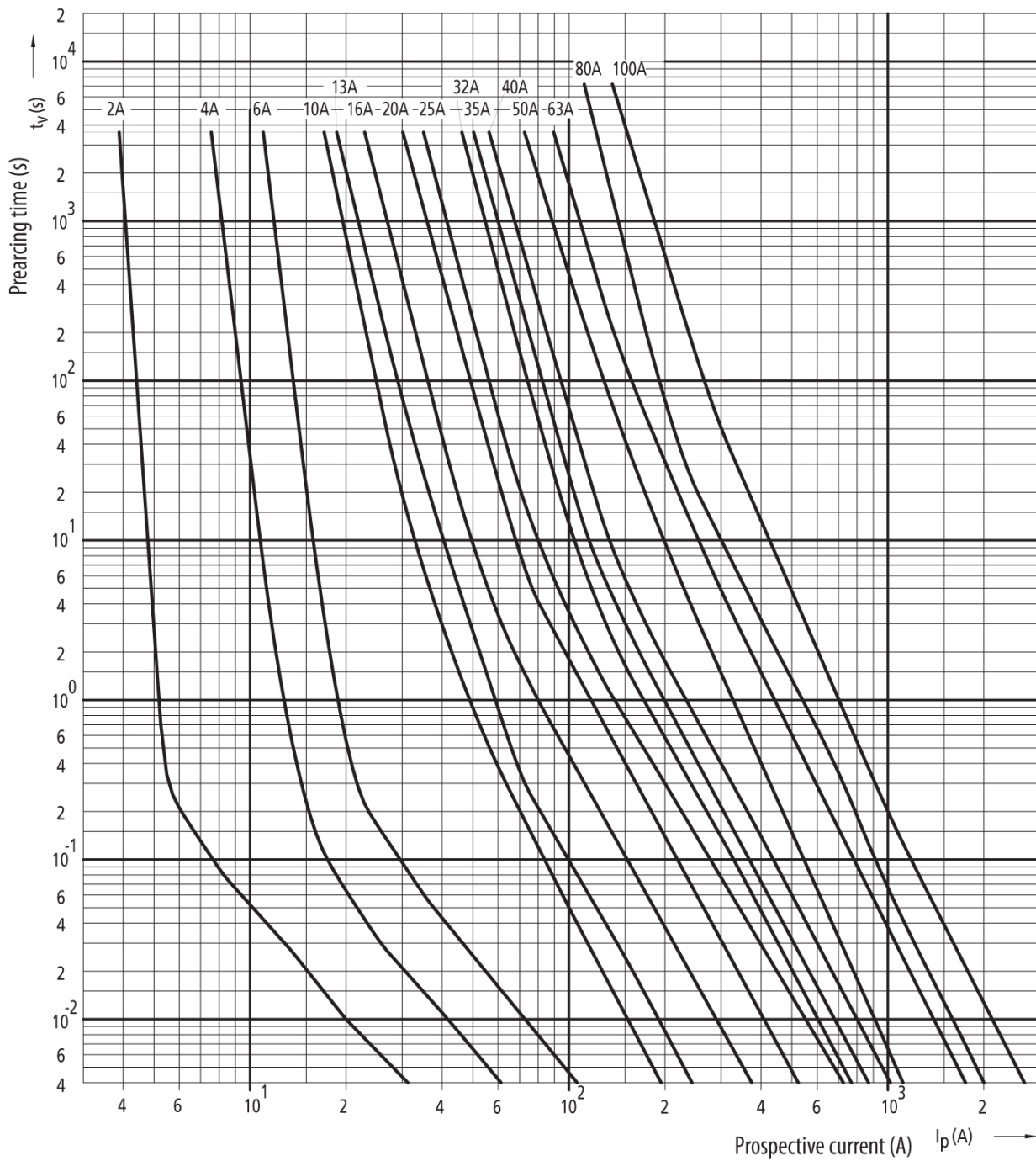
## Cut-off current characteristics



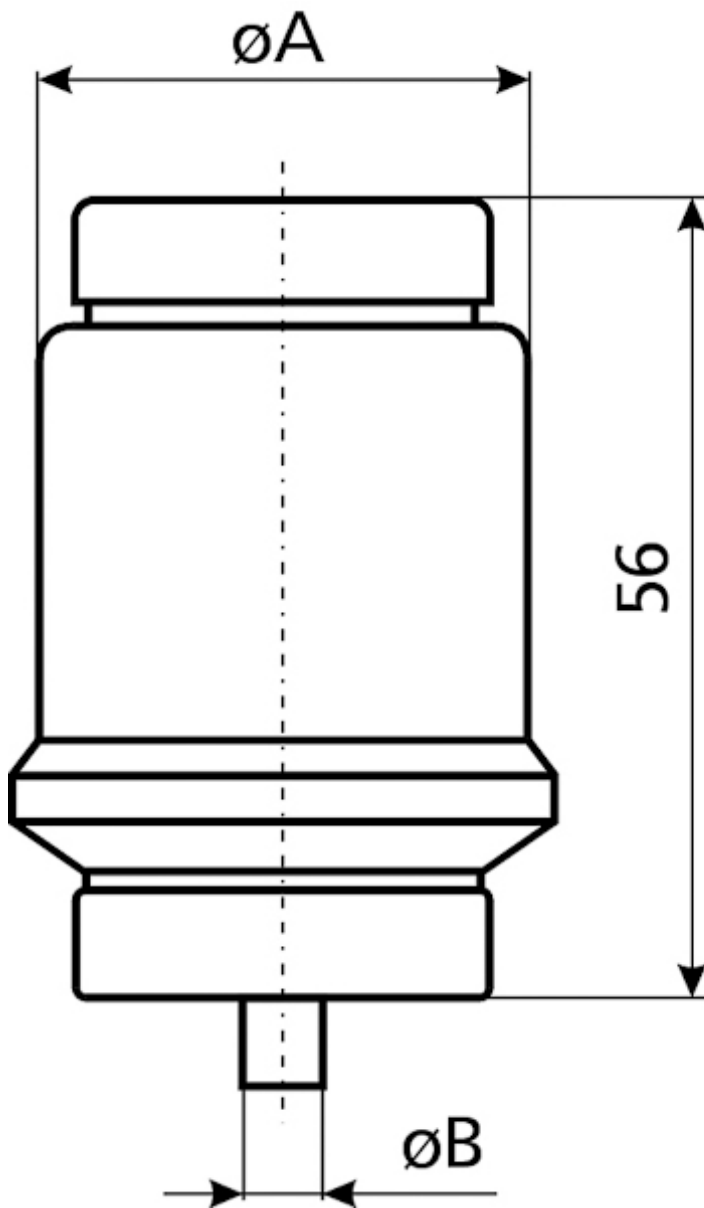
# Melting energy characteristics



# Time current characteristics



## Dimension drawing



[A]	$\varnothing A$	$\varnothing B$
80	33	5
100	33	7