

D02 gG 63A/400V



Specifications

ETI Code	002212005
Description	D02 gG 63A/400V
Weight	13
Level	Fuse links gG
Rated current (A)	63
Type	D0
Size	D02
Characteristics	gG
Rated AC voltage (V)	400
Rated DC voltage (V)	250
Dimensions	E18
Indicator	Top fuse status indicator
Breaking capacity AC (kA)	50
Breaking capacity DC (kA)	8
Standards	DIN EN 60269-1, DIN EN 60269-3
Application	For cable protection
Application	For cable protection
Indicator	Top fuse status indicator
Dimensions	E18
Breaking capacity DC (kA)	8
Breaking capacity AC (kA)	50
Standards	DIN EN 60269-1, DIN EN 60269-3

Online product page

Other documentation



Technical data catalogue
COM_PRODUCT_Certificate
EU declaration

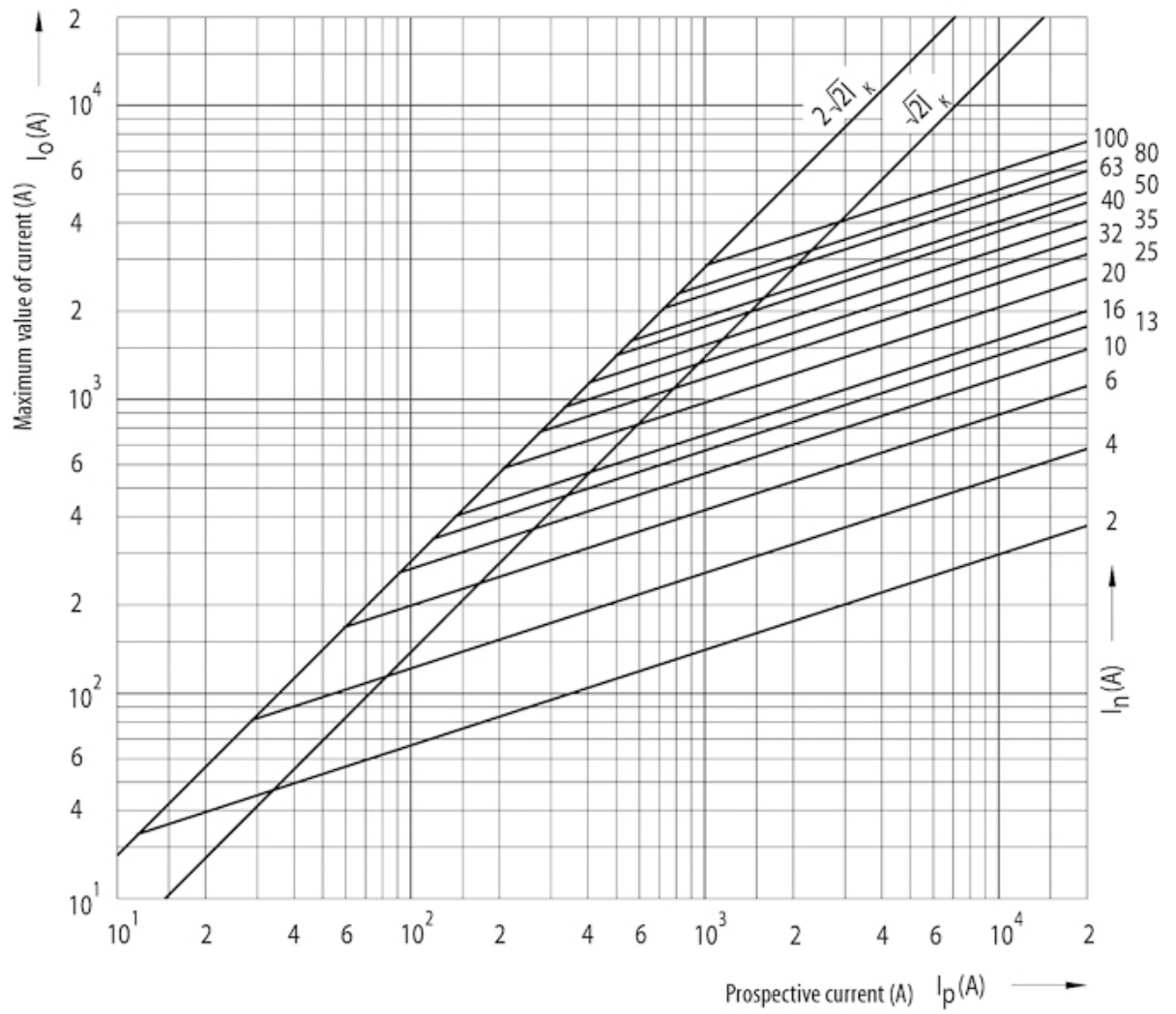


ETIM international classification

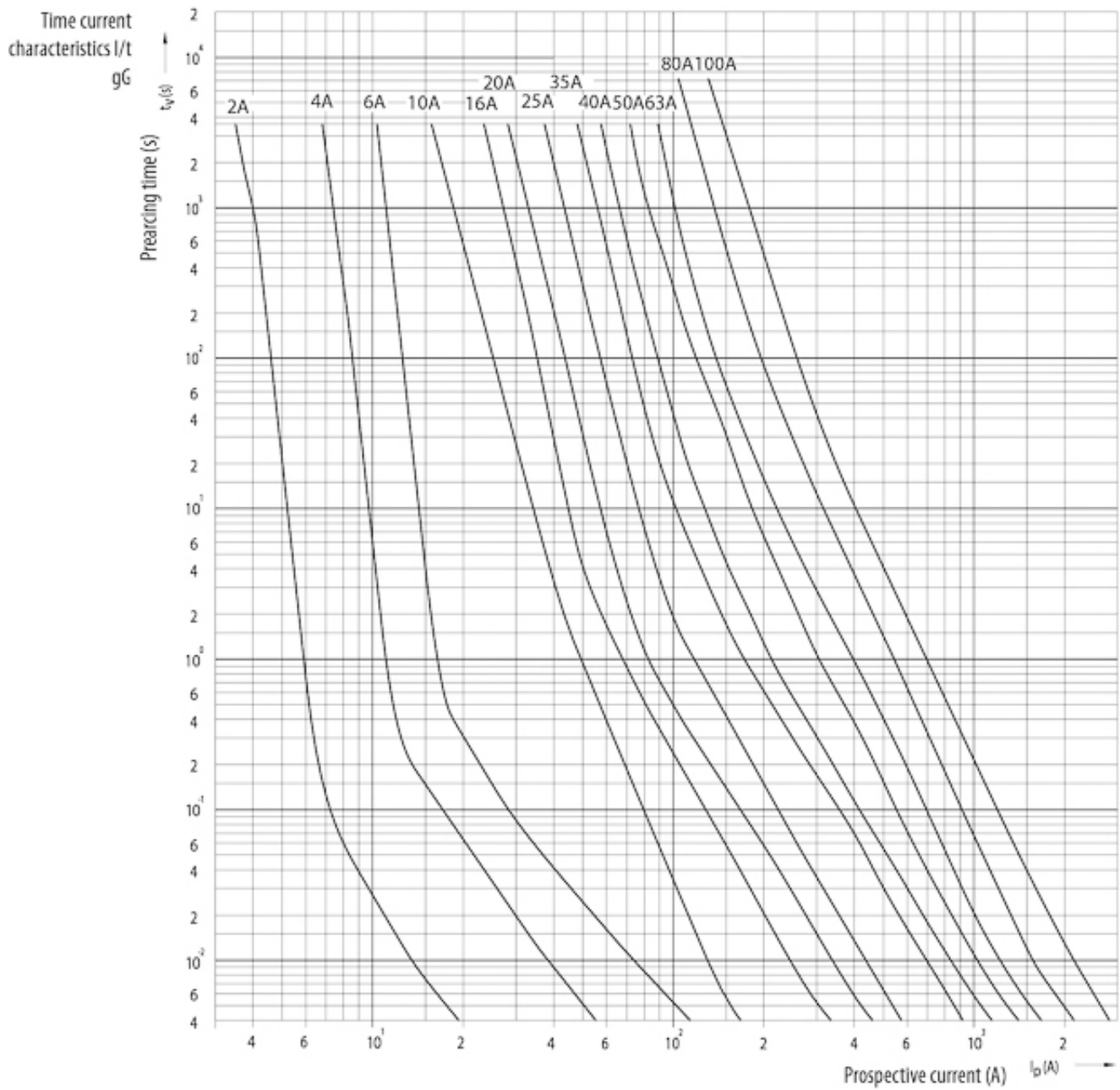
Application	For cable protection
Nominal rated current	63A
Nominal rated voltage	400V
Colour code	Copper
Construction size	D02
Type of fuse status indicator	Top fuse status indicator
Breaking capacity	50
Rated voltage at DC	250

Cut-off current characteristics

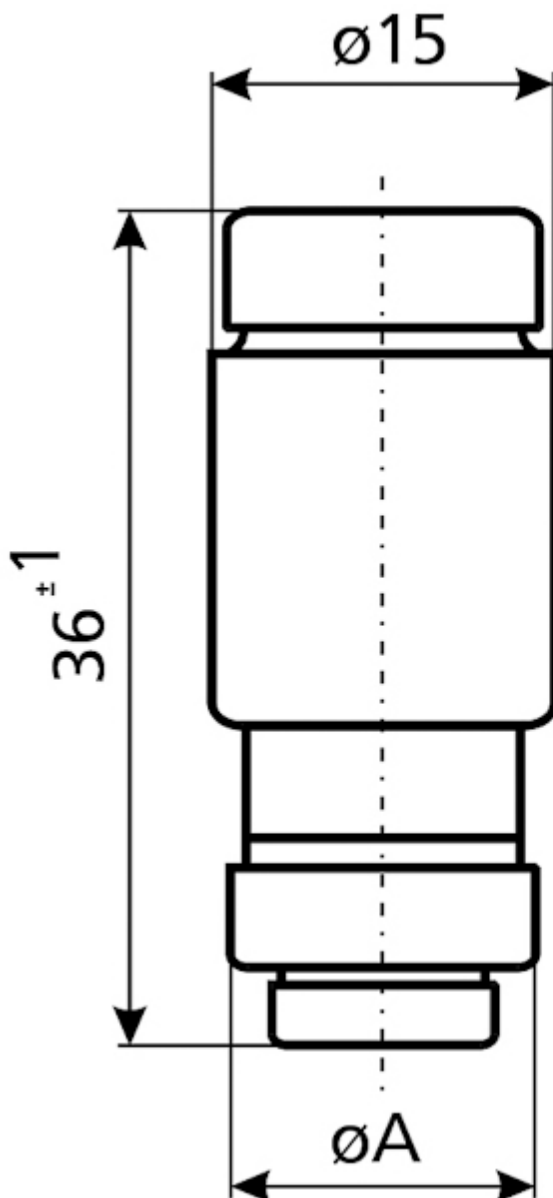
Cut-off current characteristics



Time current characteristics



Dimension drawing



l_n [A]	$\varnothing A$
20	10,9
25	12,1
32	13,3
35	13,3
40	13,3
50	14,5
63	15,9