

D02 gG 35A/400V



Specifications

ETI Code	002212003
Description	D02 gG 35A/400V
Weight	13
Level	Fuse links gG
Rated current (A)	35
Type	D0
Size	D02
Characteristics	gG
Rated AC voltage (V)	400
Rated DC voltage (V)	250
Dimensions	E18
Indicator	Top fuse status indicator
Breaking capacity AC (kA)	50
Breaking capacity DC (kA)	8
Standards	DIN EN 60269-1, DIN EN 60269-3
Application	For cable protection
Application	For cable protection
Indicator	Top fuse status indicator
Dimensions	E18
Breaking capacity DC (kA)	8
Breaking capacity AC (kA)	50
Standards	DIN EN 60269-1, DIN EN 60269-3

[Online product page](#)

Other documentation



[Technical data catalogue](#)
[EU declaration](#)

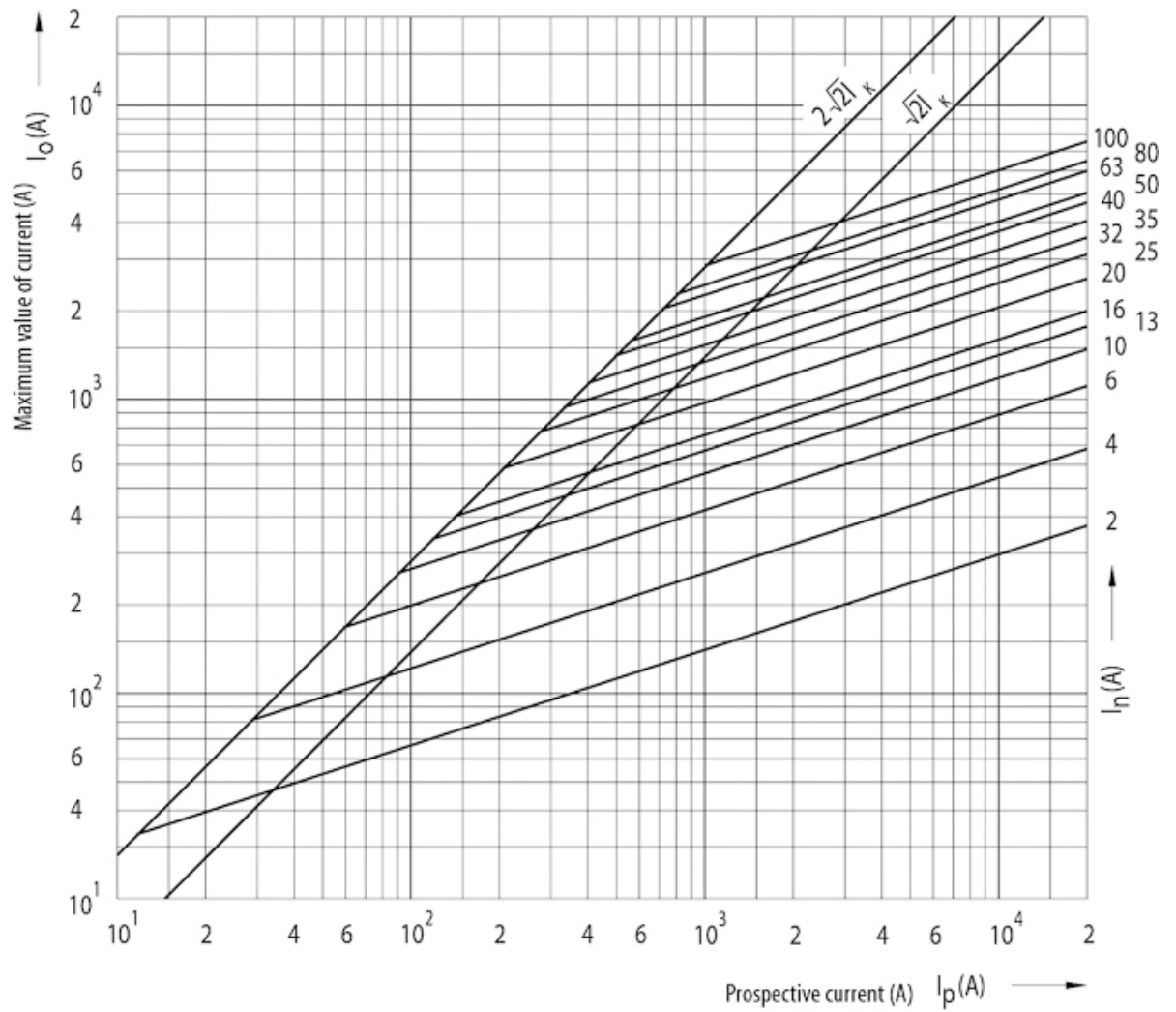


ETIM international classification

Application	For cable protection
Nominal rated current	35A
Nominal rated voltage	400V
Colour code	Black
Construction size	D02
Type of fuse status indicator	Top fuse status indicator
Breaking capacity	50
Rated voltage at DC	250
Max. rated operation voltage Ue AC	400

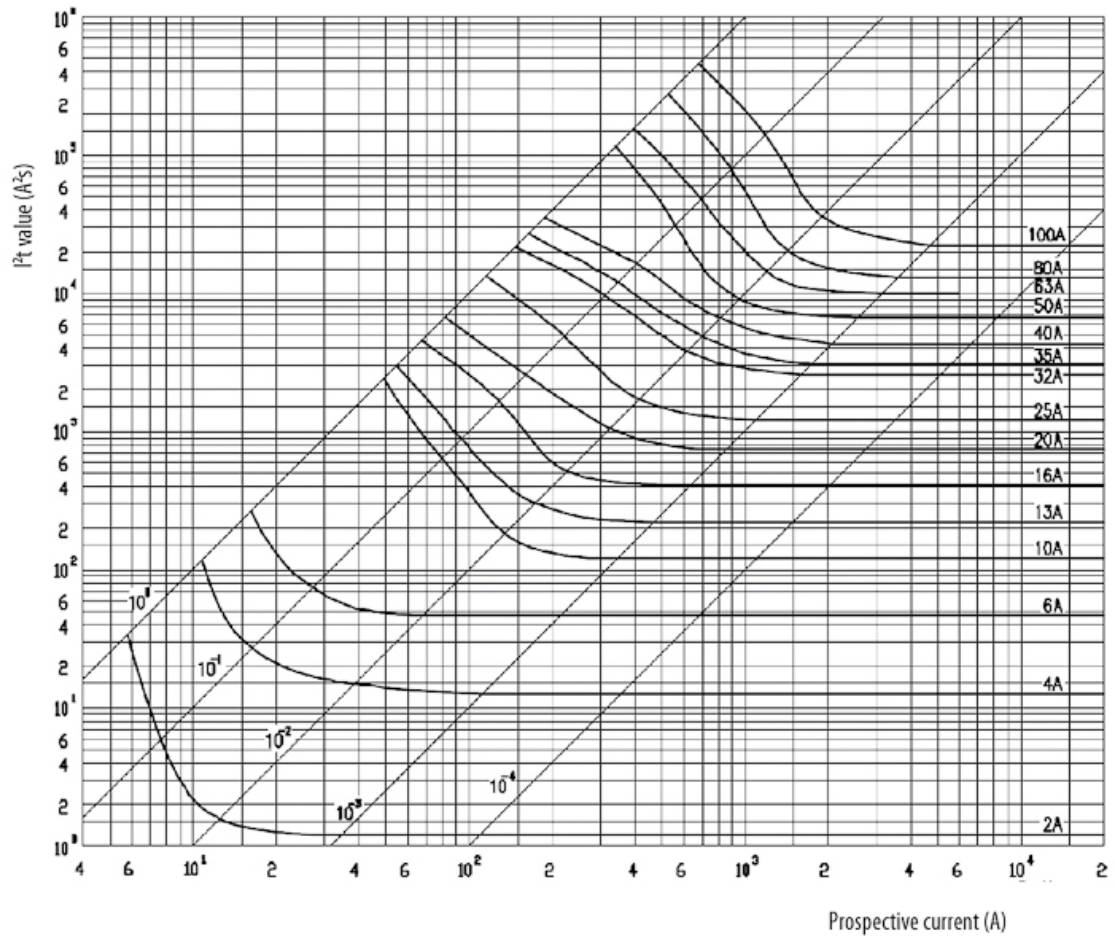
Cut-off current characteristics

Cut-off current characteristics

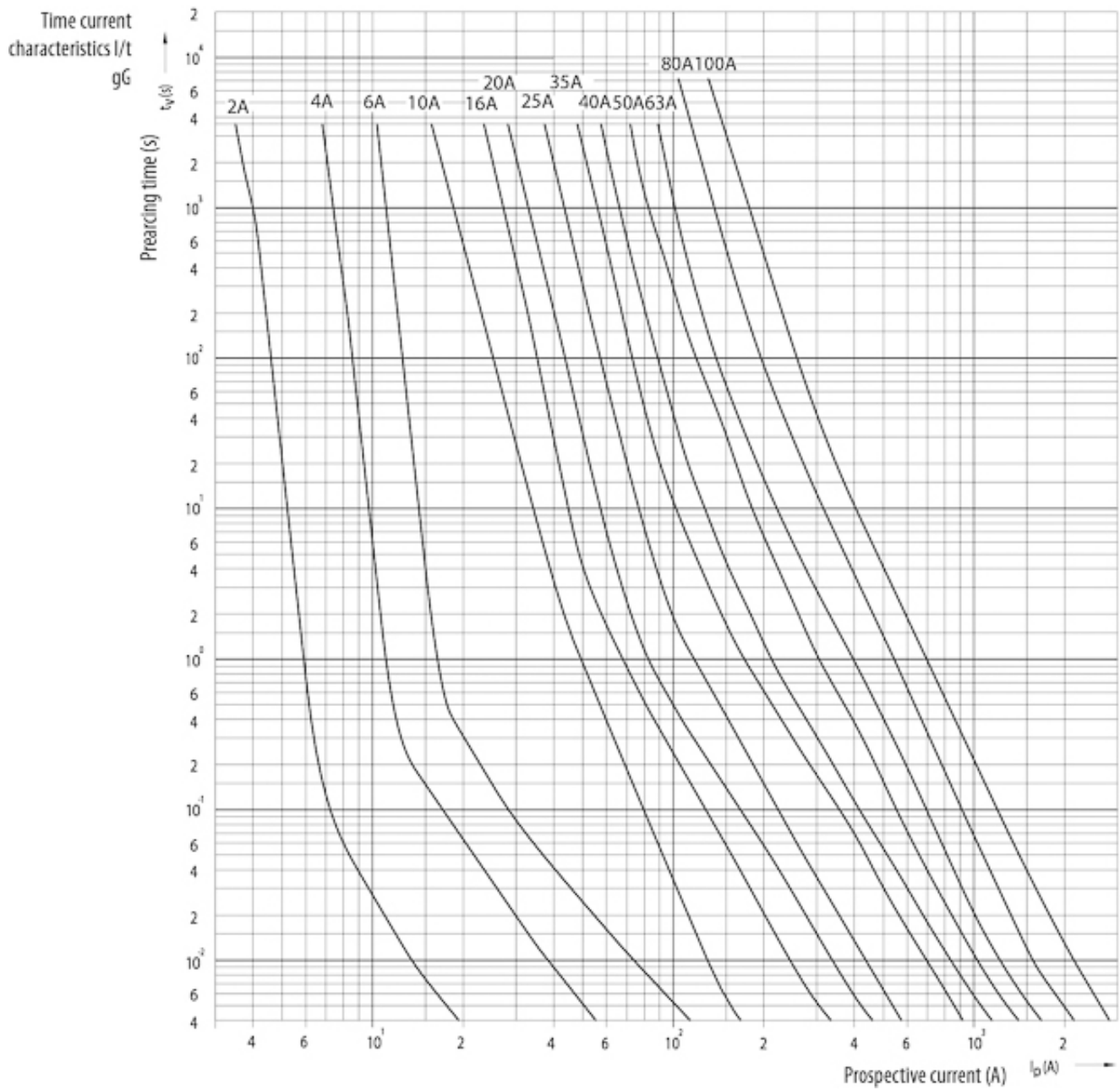


Melting energy characteristics

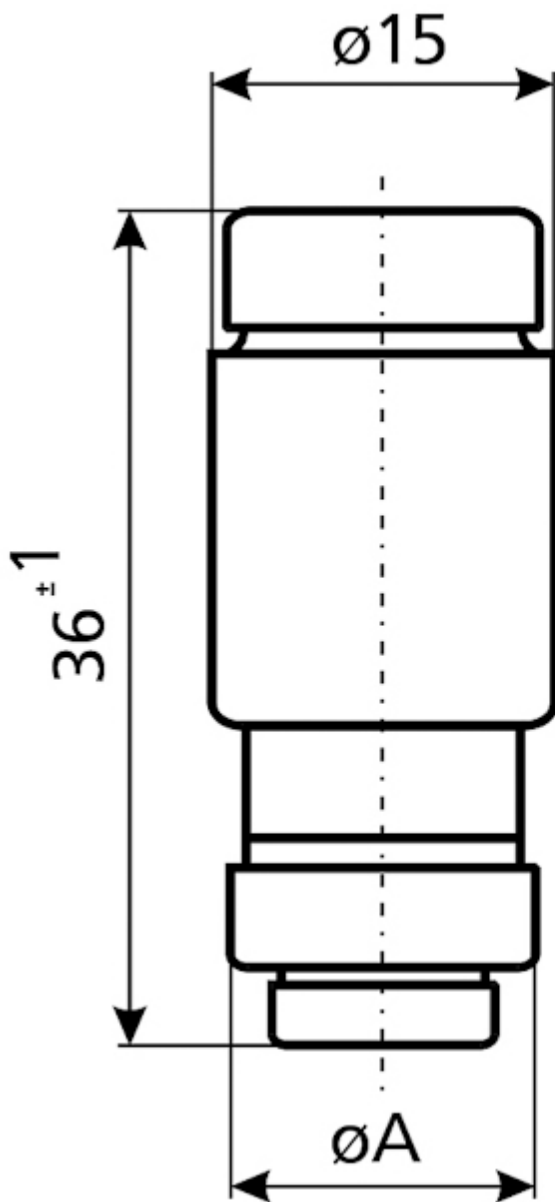
Melting energy characteristics I^2t



Time current characteristics



Dimension drawing



l_n [A]	$\varnothing A$
20	10,9
25	12,1
32	13,3
35	13,3
40	13,3
50	14,5
63	15,9