

## Product Card

Cover for junction box, IP 44



# Cover, IP 44

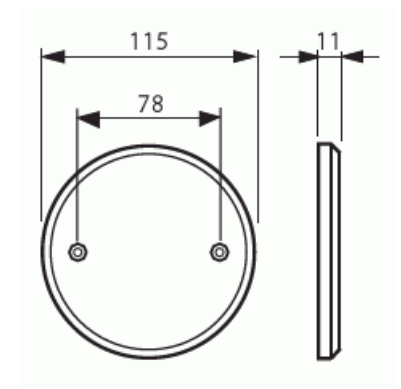
Cover for junction box, IP 44

Type: AK11

GTIN: 6418677333521



The AK11 is a smooth cover used in splash-proof conditions, IP44. In flush mounting it can be used with the junction boxes AU8 and AU19. Made of halogen free material (IEC/61249-2-21).



## Technical specification

### General Information

Product ID: 2TKA001642G1

### Classification

Enclosure class: IP44

### Packing

Package: 10/100

Unit: PCS

### ETIM Data

Diameter: 115 mm

© ABB 2023

Business ID 0763403-0

[www.installationmaterials.com](http://www.installationmaterials.com)

Customer service

puh. +358 10 222 1999

[contact.center@fi.abb.com](mailto:contact.center@fi.abb.com)

ABB Exchange

+358 10 22 11

# Product Card

Cover for junction box, IP 44



For box-/housing diameter:	95 mm
Length:	115 mm
Width:	115 mm
Depth:	115 mm
Shape:	Round
Model:	Blind cover
With cable outlet:	No
Halogen free:	Yes
With screws:	Yes
Sealable:	No