

Ceiling rose cover

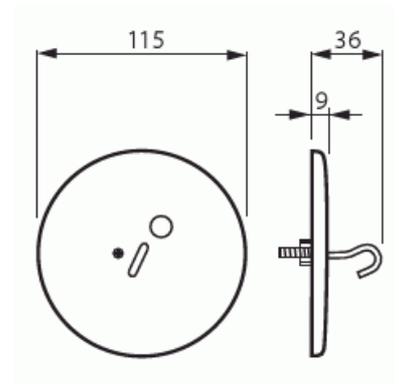
Ceiling rose cover for junction box, IP 20

Type: AK20.1

GTIN: 6410011525470



The AK20.1 ceiling rose cover is used in dry spaces for both flush and surface mounting when installing grounded crown luminaires. In surface mounting, the AKL2 extension ring is used. A max. 15 kg lighting appliance can be attached to the ceiling cover rose. Protection class 1.



Technical specification

General Information

Product ID:	2TKA001647G1
-------------	--------------

Classification

Enclosure class:	IP20
------------------	------

Packing

Package:	5/50
Unit:	PCS

ETIM Data

Diameter:	115 mm
-----------	--------

Product Card

Ceiling rose cover for junction box, IP 20



For box-/housing diameter:	95 mm
Length:	115 mm
Width:	115 mm
Depth:	115 mm
Shape:	Round
Model:	Cover with hook and clamp
With cable outlet:	Yes
Halogen free:	Yes
With screws:	Yes
Sealable:	No