

# Inlet M25

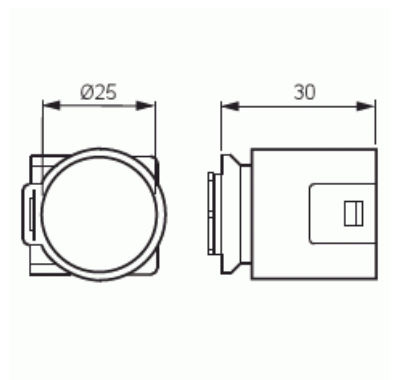
Inlet, Ø 25 mm

Type: AN25

GTIN: 6410011527252



Inlet AN25 is equipped with locking device which prevents conduit disconnection. The conduit can be unfastened by twisting it. The inlet can be used both in mounting boxes and in junction boxes. Made of halogen free material (IEC/61249-2-21).



## Technical specification

### General Information

Product ID:	2TKA160027G1
-------------	--------------

### Packing

Package:	100/500
Unit:	PCS

### ETIM Data

Accessory:	Yes
Spare part:	No
Suitable for built-in installation box:	Yes
Suitable for central conduit box:	No

# Product Card

Inlet, Ø 25 mm



---

—  
© ABB 2023

Business ID 0763403-0

[www.installationmaterials.com](http://www.installationmaterials.com)

---

—  
Customer service

puh. +358 10 222 1999

[contact.center@fi.abb.com](mailto:contact.center@fi.abb.com)

---

—  
ABB Exchange

+358 10 22 11