

Support

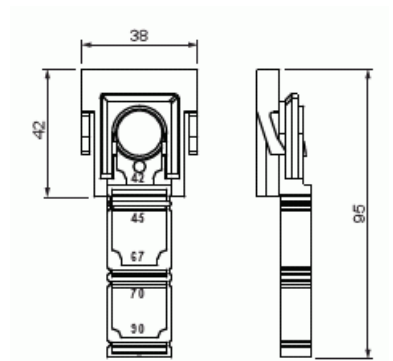
Box support 42 – 95 mm

Type: PMR577

GTIN: 6410011527764



Support PMR577 is used with mounting and junction boxes with knock-out inlets. The support is used for installation of boxes into light, non-bearing walls that are constructed on site, with interlayers of 42, 45, 66, 70, 90 and 95 mm. It is possible to use an inlet or a strain-relief (conduitless flush mounting) with the support. By joining two supports PMR577 together with an interconnector PMR474 the box groups can be separated from each other under different covering plates. The center distance of the box groups is 85mm. Made of halogen free material (IEC/61249-2-21).



Technical specification

General Information

Product ID: 2TKA130047G1

Packing

Package: 20/500

Unit: PCS

ETIM Data

Accessory: Yes

Spare part: No

Suitable for built-in installation box: Yes

Suitable for central conduit box: No

Product Card

Box support 42 – 95 mm



—
© ABB 2023

Business ID 0763403-0

www.installationmaterials.com

—
Customer service

puh. +358 10 222 1999

contact.center@fi.abb.com

—
ABB Exchange

+358 10 22 11