

Extension ring

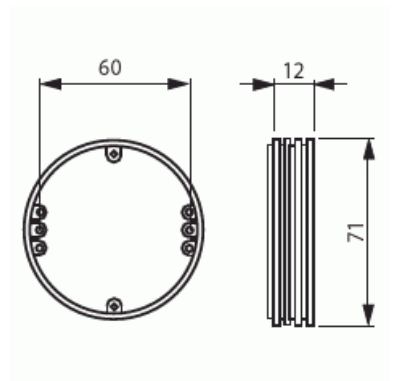
Extension ring, 13 mm

Type: PMR94

GTIN: 6410011523902



Three extension rings are available for the standard mounting boxes. The lowest, PMR94 is 13 mm deep. Made of halogen free material (IEC/61249-2-21).



Technical specification

General Information

Product ID:	2TKA130050G1
-------------	--------------

Packing

Package:	50/500
Unit:	PCS

ETIM Data

Levelling height:	12 mm
Length:	71 mm
Width:	71 mm
Diameter:	71 mm

Product Card

Extension ring, 13 mm



Shape:	Round
With cover:	No
Application:	Built-in installation box (device box)
Mounting method:	Hollow wall
Extension ring:	Yes