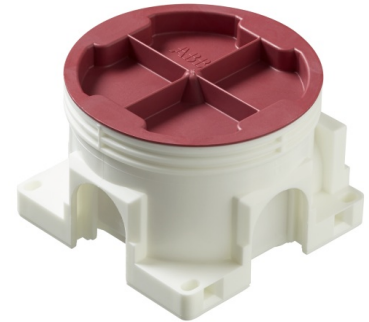


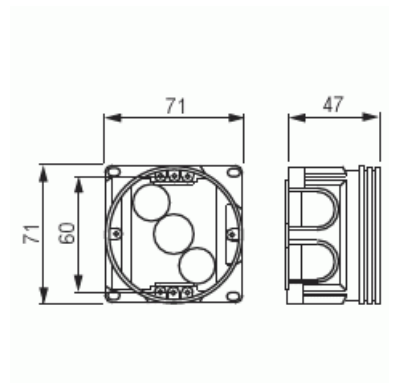
# Mounting box

**Type:** AU3.2

**GTIN:** 6410011523643



The mounting box is designed for installation in all new buildings and in prefabricated building elements, and can be used with cast materials. It has a total of five knock-out inlets, two of which are on the same side. The bottom of the box provides access for two rear inlets. The boxes can be connected to each other with the PMR474 interconnector. Made of halogen free material (IEC/61249-2-21) and fulfills the requirements of the glow wire test according to the standard IEC/EN60670: 2005 (850 °C).



## Technical specification

### General Information

Product ID:	2TKA130029G1
-------------	--------------

### Thermal conditions

Operating temperature:	-25 ... 90 °C
------------------------	---------------

### Electrical quantities

Operating voltage:	400 V
--------------------	-------

### Packing

Package:	100
Unit:	PCS

### ETIM Data

Mounting method:	Flush mounted (plaster)
Shape:	Round
Construction type:	Device connection box (round/square)
Model:	Single
Provided with revolving ring:	No
Connectable:	Yes
Equipped with:	None
Diameter:	71 mm
Length:	71 mm
Width:	71 mm
Depth:	71 mm
Inner depth:	45 mm
Suitable for wall/board thickness:	12 mm
For number of electric fittings:	1
Mounting switching equipment:	Screwing
With screws:	Yes
Housing feed-through by break-out opening:	No
Housing feed-through by seal membrane:	No
Housing feed-through by nozzle:	No
Housing feed-through by step membrane:	No
For tube diameter:	20/25 mm
Pipe locking:	Yes
Pipe locking optional:	No
Inlet from the rear:	Yes
Material:	Plastic
Halogen free:	Yes
Surface protection:	Untreated
Colour:	White
Transparent cover:	No
Cover attachment:	Snapped on
Sealable:	No
With screening:	No

# Product Card

Mounting box



Air tight:	No
Clamp position fixed:	No
Luminaire hook mounting:	No
Special application:	None