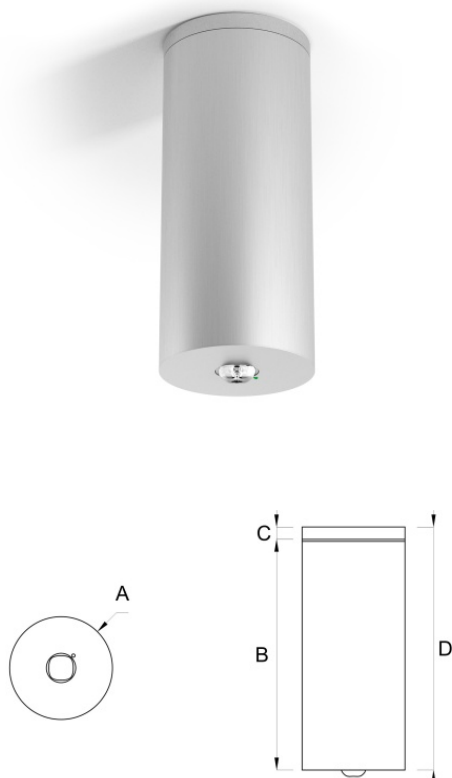


### VIALED TUBE

Item code **VT1302**  
Descriptive code **VT03F20AGRT**  
Lens **asymmetrical**



A=100mm B=225mm C=12mm D=237mm

#### Luminaire description

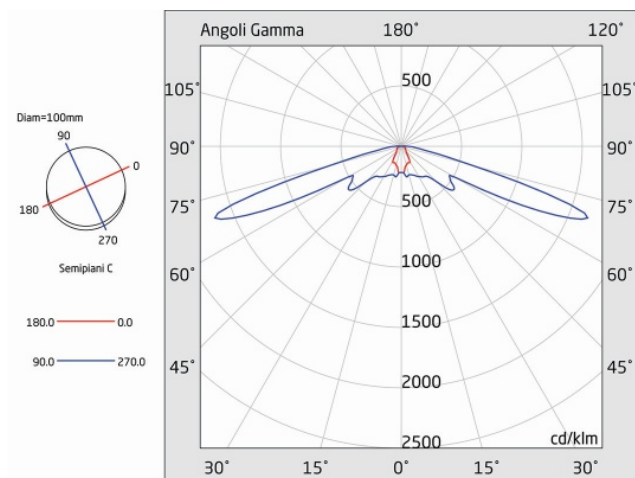
- VIALED TUBE 360LM 2H NM/M ENERGY TEST

#### Technical characteristics

- Optics: standard height
- Function: Energy Test (Self-contained with self-diagnosis)
- Duration: 2h
- Type: NM/M (Non-Maintained/Maintained)
- Maintained mode can be turned on/off with an external switch
- Minimum flux in emergency (EN 60598-2-22): 345lm
- Flux in permanent mode: 345lm
- Battery: Li-FePO4 6,4V 1,5Ah
- Battery type: Lithium iron phosphate
- Recharge time: 12h
- Battery status: battery disconnection warning
- Power supply: 230Vac
- Input power with charged battery: 5,3W
- Insulation class: I
- Protection degree: IP42
- Working temperature: 0°C to +40°C
- Colour: Grey
- Compliant to European standards: EN 60598-1, EN 60598-2-22, EN 61347-1, EN 61347-2-7, EN 61347-2-13, EN 62031, EN 62384
- Compliant to RoHS2 2011/65/UE
- Glow wire 850 °C
- Installation: ceiling, suspended\* (\* with accessory)
- 5 year warranty

#### Light source characteristics

- Type: LED
- Lamps: 1 LED
- Color temperature: 6000K



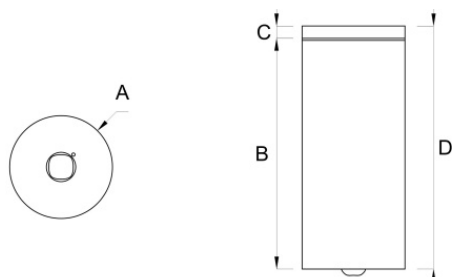
An UNI EN ISO 9001 certified company

LINERGY Srl - Via A. De Gasperi, 9 - 63075 Acquaviva Picena (AP) - ITALY - Tel. +39 0735 5974 - Fax +39 0735 597474 - www.linergy.it - info@linergy.it

Subject to change without notice. 14/05/2021

### VIALED TUBE

Item code **VT1302**  
 Descriptive code **VT03F20AGRT**  
 Lens **symmetrical**



A=100mm B=225mm C=12mm D=237mm

#### Luminaire description

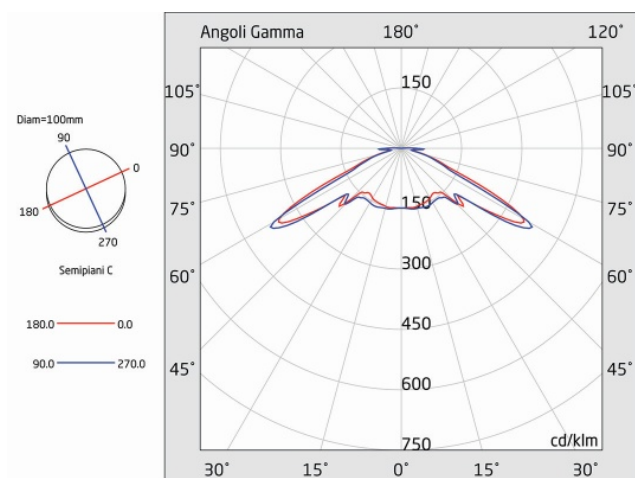
- VIALED TUBE 360LM 2H NM/M ENERGY TEST

#### Technical characteristics

- Optics: standard height
- Function: Energy Test (Self-contained with self-diagnosis)
- Duration: 2h
- Type: NM/M (Non-Maintained/Maintained)
- Maintained mode can be turned on/off with an external switch
- Medium flux in emergency: 360lm
- Minimum flux in emergency (EN 60598-2-22): 358lm
- Flux in permanent mode: 360lm
- Battery: Li-FePO4 6,4V 1,5Ah
- Battery type: Lithium iron phosphate
- Recharge time: 12h
- Battery status: battery disconnection warning
- Power supply: 230Vac
- Input power with charged battery: 5,3W
- Insulation class: I
- Protection degree: IP42
- Protection degree against mechanical impacts: IK07
- Working temperature: 0°C to +40°C
- Colour: Grey
- Compliant to European standards: EN 60598-1, EN 60598-2-22, EN 61347-1, EN 61347-2-7, EN 61347-2-13, EN 62031, EN 62384
- Compliant to RoHS2 2011/65/UE
- Glow wire 850 °C
- Installation: ceiling, suspended\* (\* with accessory)
- 5 year warranty

#### Light source characteristics

- Type: LED
- Lamps: 1 LED
- Color temperature: 6000K



An UNI EN ISO 9001 certified company

LINERGY Srl - Via A. De Gasperi, 9 - 63075 Acquaviva Picena (AP) - ITALY - Tel. +39 0735 5974 - Fax +39 0735 597474 - www.linergy.it - info@linergy.it

Subject to change without notice. 14/05/2021

### VIALED TUBE

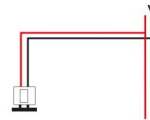
Item code **VT1302**

Descriptive code **VT03F20AGRT**

#### Mounting accessories



**A058**  
KIT FOR SUSPENSION INSTALLATION VIALED  
TUBE



**A332**  
KIT FOR REST MODE WITH COMMANDER

#### Commander



**A350**  
CONTROLLER FOR THE REMOTE  
MANAGEMENT OF REST MODE



An UNI EN ISO 9001 certified company

LINERGY Srl - Via A. De Gasperi, 9 - 63075 Acquaviva Picena (AP) - ITALY - Tel. +39 0735 5974 - Fax +39 0735 597474 - [www.linergy.it](http://www.linergy.it) - [info@linergy.it](mailto:info@linergy.it)

Subject to change without notice. 14/05/2021