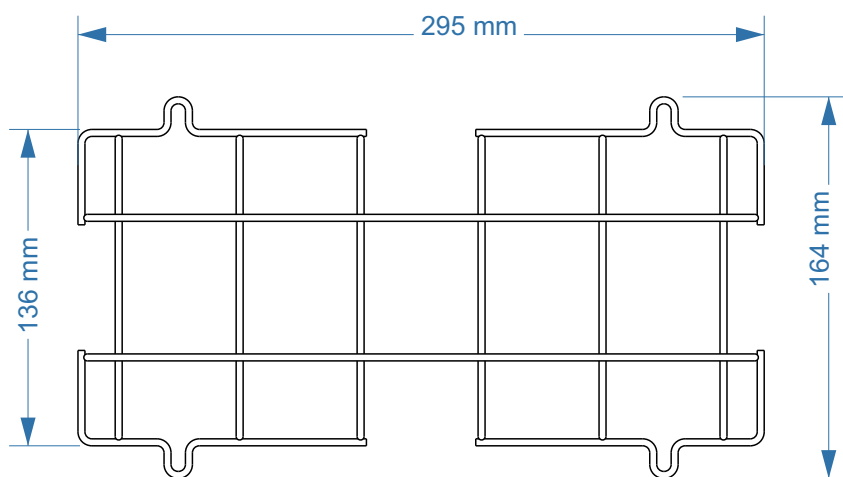
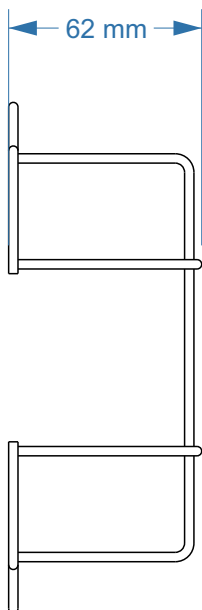


## PROTECTIVE GRID

Item code **A014**  
 Description code **GRIG03**

### Product description

Protective grid in chromed metal, for complete protection of the lamp body against accidental knocks or acts of vandalism.



An UNI EN ISO 9001 certified company

LINERGY Srl - Via A. De Gasperi, 9 - 63075 Acquaviva Picena (AP) - ITALY - Tel. +39 0735 5974 - Fax +39 0735 597474 - www.linergy.it - info@linergy.it

Subject to change without notice. 04/02/2022