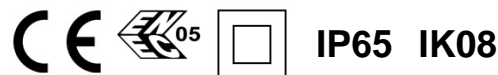


CRISTAL EVO

Item code **CE1305**
 Descriptive code **CE24N10EGRT**

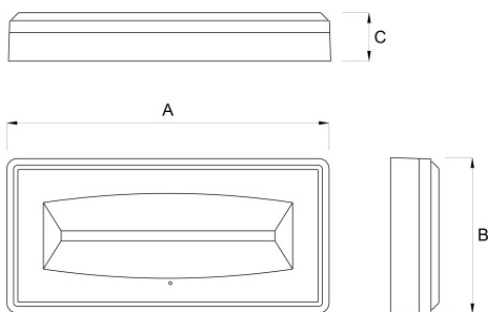


Luminaire description

- CRISTAL EVO 730LM 1H N/M IP65 ENERGY TEST

Technical characteristics

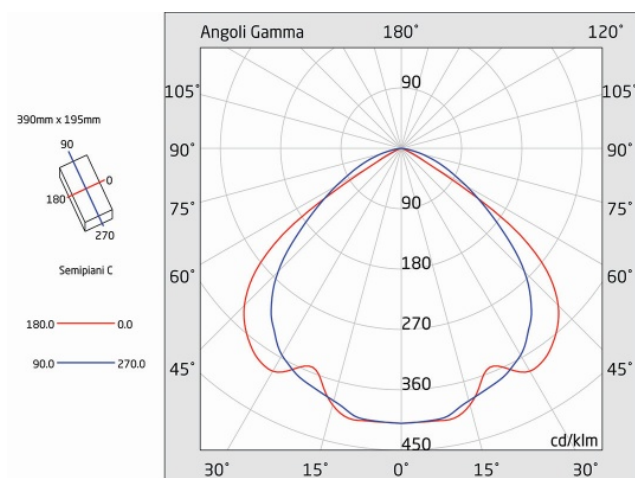
- Function: Energy Test (Self-contained with self-diagnosis)
- Duration: 1h
- Type: N/M (Non Maintained)
- Medium flux in emergency: 730lm
- Minimum flux in emergency (EN 60598-2-22): 701lm
- Battery: Li-FePO4 6,4V 1,5Ah
- Battery type: Lithium iron phosphate
- Recharge time: 12h
- Battery status: battery disconnection warning
- Power supply: 230Vac
- Input power with charged battery: 0,2W
- Insulation class: II
- Protection degree: IP65
- Protection degree against mechanical impacts: IK08
- Working temperature: 0°C to +40°C
- Colour: Grey
- Signaling visibility with pictogram (EN 1838): 21 m
- Compliant to European standards: EN 60598-1, EN 60598-2-22, EN 61347-1, EN 61347-2-7, EN 61347-2-13, EN 62031, EN 62384
- Photobiological safety exempt group according to EN 62471
- Compliant to RoHS2 2011/65/UE
- Glow wire 850 °C
- Installation: wall, ceiling, flag-style*, busbar*, recessed*, 45° bracket* (* with accessory)
- 5 year warranty



A=380mm B=180mm C=58mm

Light source characteristics

- Type: LED
- Lamps: 40 LED
- Color temperature: 6000K



An UNI EN ISO 9001 certified company

LINERGY Srl - Via A. De Gasperi, 9 - 63075 Acquaviva Picena (AP) - ITALY - Tel. +39 0735 5974 - Fax +39 0735 597474 - www.linergy.it - info@linergy.it

Subject to change without notice. 17/05/2021

CRISTAL EVO

Item code **CE1305**

Descriptive code **CE24N10EGRT**

Standard mounting accessories



A203
AESTHETIC FRAME FOR CRISTAL

Mounting accessories



A004
SIGNALING KIT CRISTAL EVO



A005
BUSBAR KIT



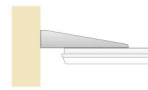
A006
PLASTERBOARD AND DROPPED-CEILING
FASTENING KIT



A013
PROTECTIVE GRATING



A019
WALL BOX RECESSED INSTALLATION
CRISTAL



A047
KIT FOR FLAG-STYLE FASTENING



A092
CLASP FOR FIXING AT 45 DEGREES



A328
LARGE RAIN PROTECTION IN STAINLESS
STEEL

Pictograms



A146
PICTOGRAM FOR CRISTAL ARROW LEFT



A147
PICTOGRAM FOR CRISTAL ARROW RIGHT



A148
PICTOGRAM FOR CRISTAL ARROW DOWN



An UNI EN ISO 9001 certified company

LINERGY Srl - Via A. De Gasperi, 9 - 63075 Acquaviva Picena (AP) - ITALY - Tel. +39 0735 5974 - Fax +39 0735 597474 - www.linergy.it - info@linergy.it

Subject to change without notice. 17/05/2021

TECHNICAL SHEET

Emergency luminaire

CRISTAL EVO

Item code **CE1305**

Descriptive code **CE24N10EGRT**

Commander



A350

CONTROLLER FOR THE REMOTE
MANAGEMENT OF REST MODE



An UNI EN ISO 9001 certified company

LINERGY Srl - Via A. De Gasperi, 9 - 63075 Acquaviva Picena (AP) - ITALY - Tel. +39 0735 5974 - Fax +39 0735 597474 - www.linergy.it - info@linergy.it

Subject to change without notice. 17/05/2021