

ONLITE central eBox BSIM bus switch input module

Art. no. 22185298

Application

Four-way mains switching input module with bus communication for switching the emergency luminaires alongside the general lighting.

Using a mains switching input for time switches, the escape sign luminaires, for instance, can be switched to non-maintained mode across the system, across the circuit or as individual luminaires.

Emergency luminaires can be enabled for night-time lighting and anti-vandal lighting.

Built-in emergency luminaires can be switched alongside the general room lighting.

Design notes

Fit the ONLITE central eBox BSIM on a DIN rail in the distribution unit of the general power supply. The four mains switching inputs are fully isolated from one another, so it is also permitted to use different external conductors or RCDs. The module is powered from the general mains supply. Up to 9 ONLITE central eBox BSIM units can be used in one eBox system, which gives a total of 36 switching inputs when fully populated.



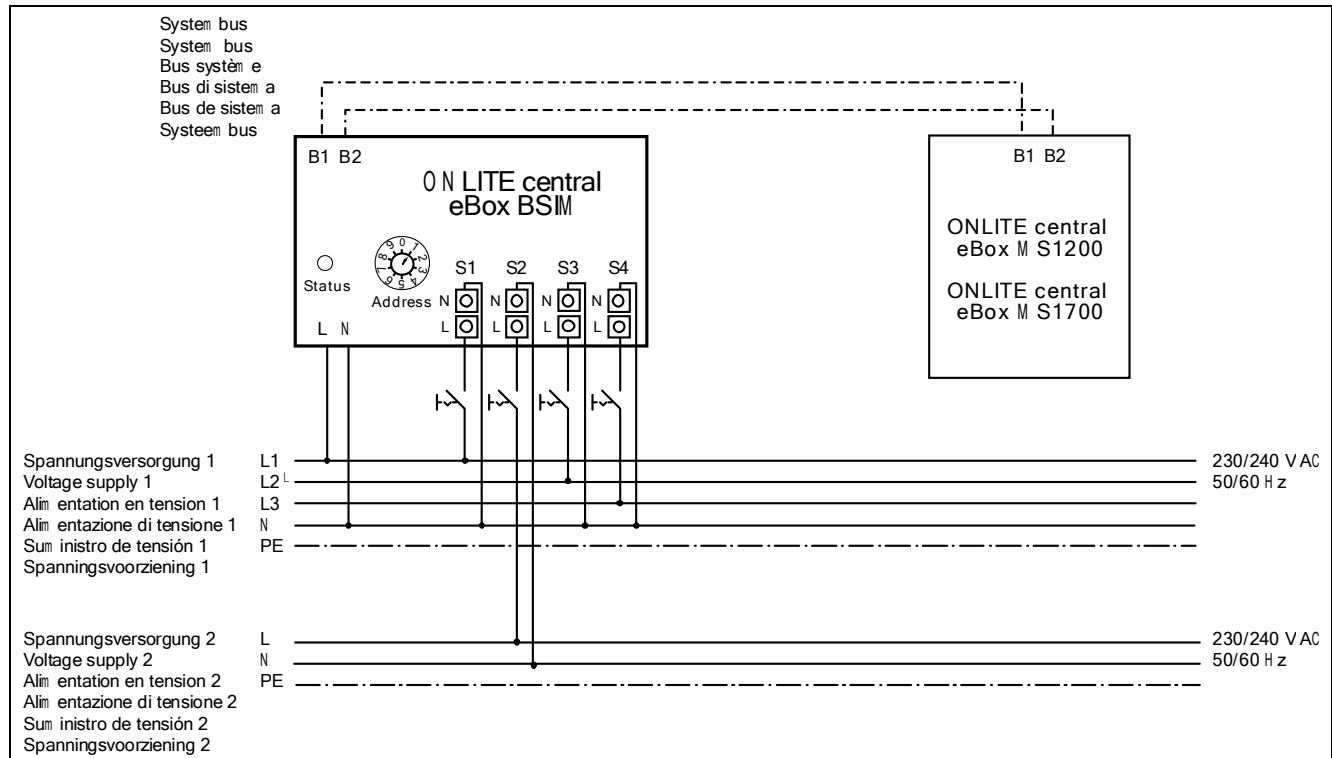
Functional description

Each ONLITE central eBox BSIM is assigned a unique address (1-9) in the eBox system. If mains voltage is applied to one or more switching inputs, these switches can be assigned in the eBox system to one or more luminaires or to one or more circuits. An ONLITE central eBox OCM NSI and also Powerline-compatible emergency or escape sign luminaires are necessary in order to enable switching of individual luminaires. Alternatively, an ONLITE central eBox OCM NDA and DALI-compatible emergency or escape sign luminaires are necessary for switching of individual luminaires.

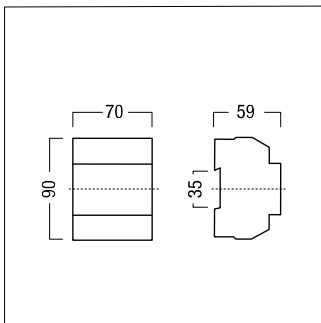
Status LED

green, flickering occasionally operating correctly
 off equipment or mains failure
 red failure of CPU or EEPROM
 red, switching on/off regularly every 4 seconds system bus failure

Wiring scheme



Dimension



Technical data

Nominal voltage	230/240 V AC, 50 Hz
Current consumption	max. 20 mA
Bus loads	max. 1
Inputs	4 switching inputs (S1 – S4); per switching input:
Addressing	1 address per device
Interface	Systembus (B1, B2)
Terminals	0.75–2.5 mm ² (single-wire or fine wire)
Protection type	IP20
Protection class	Class II (double-insulated)
Miscellaneous	Overvoltage category II
Housing material	flame-resistant polycarbonate; halogen-free
Installation	On 35 mm top-hat rail according to EN 50022
Dimensions	58 x 70 x 90 (W x H x D, in mm) 4 units at 17,5 mm
Permitted ambient temperature	Ta 0–50 °C
Storage temperature	-25 °C ... +80 °C
Weight	Approx. 0.2 kg

Label/connections

