

ONLITE central eBox OCM-NPS output circuit module

Art. no. 22185295

Application

The ONLITE central eBox OCM-ECC is an output circuit module for supplying power to 20 emergency and escape sign luminaires per circuit for 230V AC / 216V DC for the purpose of circuit monitoring. All connected luminaires which are AC/DC compatible can be switched as a complete circuit, and can be calibrated for circuit monitoring either manually by service PIN or via the display of the ONLITE central ebox.

Design notes

Up to three output circuit modules can be fitted in each ONLITE central eBox MS 1200/1700, or in the ONLITE central eBox SUBxx distribution stations by plugging them into the multipole male edge connector whilst the power is off, and then screwing them in place.

The output circuit modules are each fitted with fuses rated 3.15 AT, which can be loaded to 60% of this level according to the standard. Therefore the power available for each output circuit is 420 VA and 200 W for DC operation. 5-pole wiring is used for the luminaires in the final circuits (L/N/PE/DA/DA).



Functional description

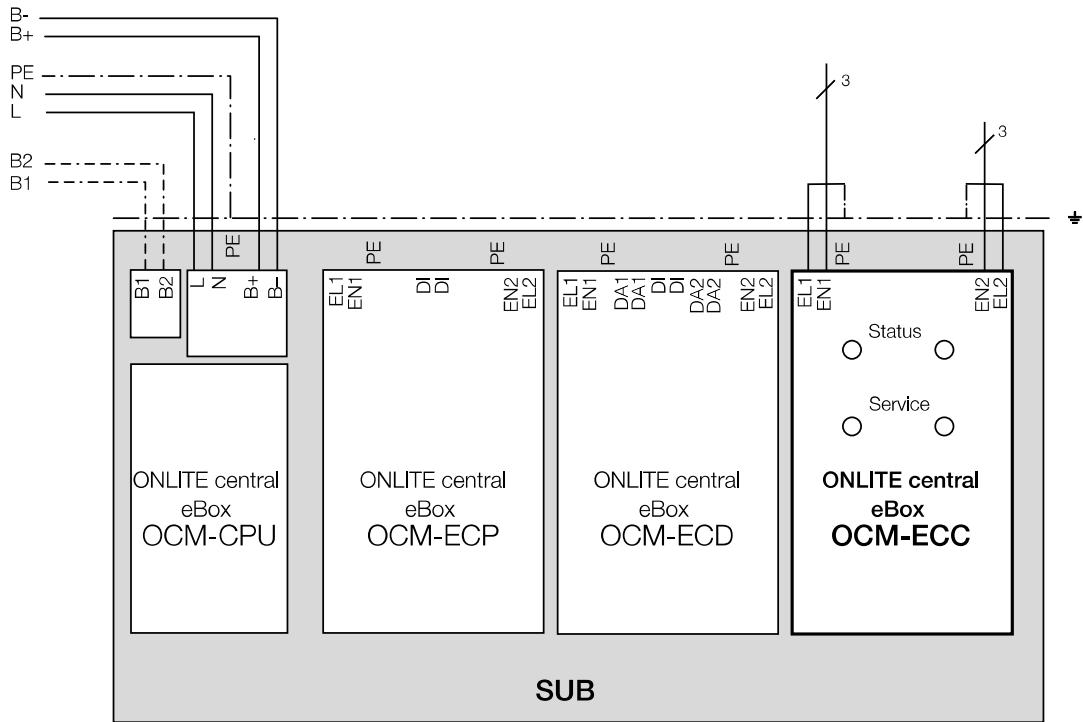
Status LED

green, flickering occasionally operating correctly
green, switching on/off regularly every 2 seconds system has frozen
orange. emergency operation
orange, switching on/off regularly every 0.5 seconds . . . Test mode (functional
test or service life test) or calibration of output circuits
red failure of CPU or EEPROM
red, flickering Fault in output circuit
red, switching on/off regularly every 4 seconds system bus failure
green-red: 4 secs green, flickering occasionally – 0.5 secs red lamp fault

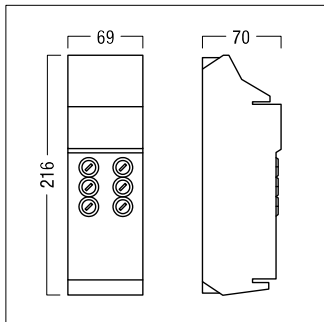
Wiring scheme

zum Hauptverteiler
to main distribution unit
vers le répartiteur principal
al ripartitore principale
al distribuidor principal
naar hoofdverdelers

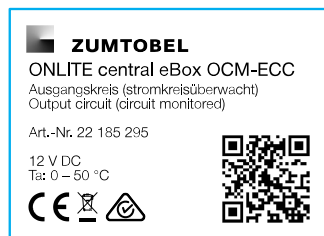
Systembus
system bus
bus système
bus di sistema
bus de sistema
systeembus



Dimension



Label/connections



Technical data

Output voltage	230 V 50 Hz / 216 V DC (189 - 249 V DC)
Power	AC: 420 VA per circuit DC: 200 W per circuit
DALI control wiring	NYM 3 x 1.5 mm ² (H05VV-U 3 x 1.5), max. 300m NYM 3 x 2.5 mm ² (H05VV-U 3 x 2.5), max. 500m
Miscellaneous	Testing: TÜV Rheinland / CE / EN 50171 for EN 50172 compliant installations
Dimensions	216 x 69 x 70 mm
Housing material	polycarbonate
Installation	Torx TX20 screw fastening
Miscellaneous	Edge connector: 96 way male connector
Case colour	grey (RAL 7012)
Protection type	IP20
Protection class	Class II (double-insulated)
Permitted ambient temperature	Ta 0–50 °C
Miscellaneous	output terminals: 1.5 - 2.5 mm ² (solid wire or stranded) Input terminals: 0.75 - 2.5 mm ² (solid wire or stranded)
Weight	Approx. 0.4 kg
Miscellaneous	Fuses: 6 x 3.15 AT microfuse 6 x 32 mm