



@ansell_lighting



ansellighting



Ansell Lighting

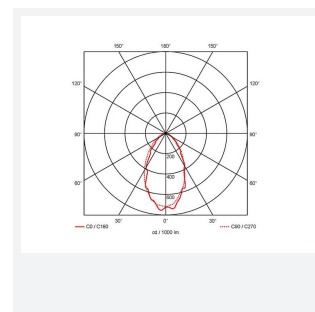
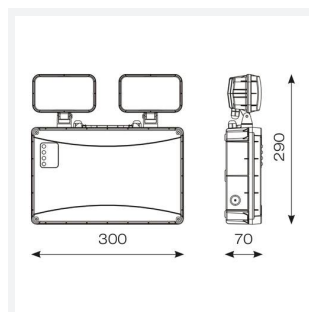
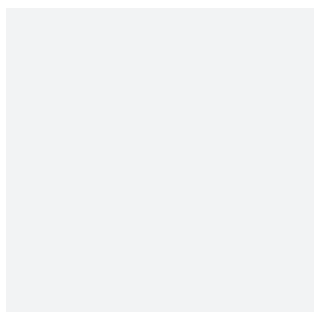
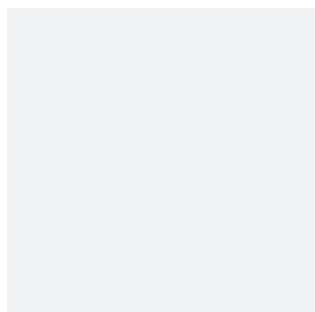


ansell_lighting

Owl High Output

Owl Twin Spot High Output IP66 Non-Maintained
Code: ATSLED/3NM/ST/HO

Category	Emergency
Application	Ancillary, Commercial, Education, Healthcare, Hospitality, Industrial, Retail
Specification	Performance



PRODUCT FEATURES

- Self-test Twin LED emergency floodlight for industrial applications
- Robust white moulded enclosure
- Moulded polycarbonate heads
- Self-test as standard

GENERAL INFORMATION	
Wattage	3W
Lumens Delivered	706lm (Emergency)
Beam Angle	60
CRI	70
CCT	6500K
Input	220/240V
Operating Temp	0°C - 40°C

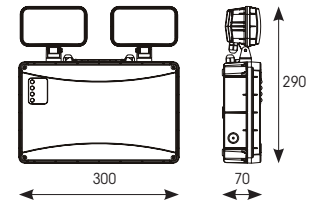
TECHNICAL INFORMATION	
Light Source	LED
Colour / Finish	White
IP Rating	IP66
Class Protection	1
Internal / External	Internal / External
Surface / Recessed / Suspended	Wall
Lumen Depreciation	L70 50,000h
Warranty (Years)	5
CE Mark	Yes
Height	290 mm
Accessories	ASBP/6/LI



Owl High Output



- Self-test Twin LED emergency floodlight for industrial applications
- Robust white moulded enclosure
- Moulded polycarbonate heads
- Self-test as standard



INPUT	HERTZ	TEMP	LIFETIME (HRS)	BEAM ANGLE	CLASS	IP	IK
220/240V	50/60Hz	0°C to 40°C	L70 50,000	50°	1	IP66	IK08

CODE	DESCRIPTION	WATTAGE	CCT	EMERGENCY MODE
ATSLED/3NM/ST/HO	Non-Maintained	3.3W	6500K	706lm

CODE (ACCESSORIES)	DESCRIPTION
ASBP/6/LI	6.4V 5.5Ah-5 Li-FePO4 Replacement Battery