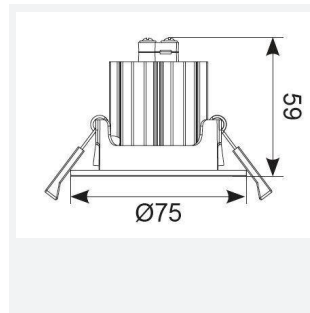


Beacon Fixed

Beacon Emergency Fixed Downlight Non-Code: ABFLED/3NM

Category	Emergency
Application	Ancillary, Commercial, Education, Healthcare, Hospitality, Industrial, Retail
Specification	Performance



PRODUCT FEATURES

- LED Non-Maintained fixed polycarbonate downlight
- 3 hour emergency output
- Power and green charge LED are discreetly incorporated within the head

GENERAL INFORMATION	
Wattage	5W
Lumens Delivered	270lm (Emergency)
Beam Angle	120
CRI	70
CCT	6500K
Input	220/240V
Operating Temp	0°C - 40°C
SDCM	6
Cut-Out Size	62mm

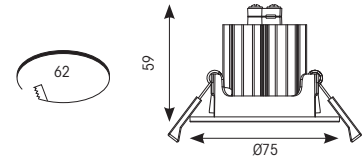
TECHNICAL INFORMATION	
Light Source	LED
Colour / Finish	White
IP Rating	IP20
Class Protection	1
Internal / External	Internal
Surface / Recessed / Suspended	Recessed
Lumen Depreciation	L70 50,000h
Warranty (Years)	5
CE Mark	Yes
Diameter	75 mm
Height	59 mm
Accessories	ASBP/9/LI



Beacon Fixed



- LED Non-Maintained fixed polycarbonate downlight
- 3 hour emergency output
- Power and green charge LED are discreetly incorporated within the head



Mounting Height (M)	Open (Anti-Panic) area (0.5 Lux Minimum)**			
	Transverse to Wall	Transverse to Transverse	Axial to Wall	Axial to Axial
2.5	0	0	3	9.5
4	0	0	3.3	11
6	0	0	-	-

Mounting Height (M)	Escape route 2 metres wide (1 Lux minimum) *			
	Transverse to Wall	Transverse to Transverse	Axial to Wall	Axial to Axial
2.5	3.5	8.9	3.5	8.9
4	4	11.4	4	11.4
6	4.5	12.9	4.5	12.9

INPUT	HERTZ	TEMP	LIFETIME (HRS)	BEAM ANGLE	CLASS	IP	IK
220/240V	50/60Hz	0°C to 40°C	L70 50,000	120°	1	IP20	IK08

CODE	DESCRIPTION	WATTAGE	CCT	EMERGENCY MODE
ABFLED/3NM	Non-Maintained	5W	6500K	270lm

CODE (ACCESSORIES)	DESCRIPTION
ASBP/9/LI	3.2V 5500mAh-5 Li-FePO4 Replacement Battery

