



Busbar support, 3p, for flat busbars

Part no. BBS-3/FL
Catalog No. 107066

EL-Nummer (Norway) 2465000

Delivery program

Product range			60 mm system
Basic function			System for flat busbars
Subrange			Busbar supports IEC busbar supports
Material			Thermoplast, silicon free, chlorine free Halogen free
Halogen free			yes
Self-extinguishing			to UL 94
Colour			RAL 7035
Track resistance			CTI 200
Temperature resistant			to 120°C
Description			Can be fitted to all busbar sizes using concertina system With screw block inside
Pole			3
Rated operational current	I_e	A	630
For use with			12 x 5/10 15 x 5/10 20 x 5/10 25 x 5/10 30 x 5/10

Technical data

General

Standards			type-tested to VDE 0660 Part 500, IEC/EN 60439-1
Ambient temperature			
Operating ambient temperature max.		°C	+ 35
Interval between busbar centres		mm	60
Mounting position			Vertical, horizontal

Contacts

Rated operational voltage	U_e	V	690
Rated frequency	f	Hz	50/60
Rated insulation voltage	U_i	V	3000
Interval between busbar centres		mm	60
Distance between busbar supports	a	mm	250
Rated peak withstand current			
with 12 x 5 mm bar	I_{pk}	kA	50
with 20 x 5 mm busbar	I_{pk}	kA	50

with 25 x 5 mm bar	/pk	kA	50
with 30 x 5 mm bar	I _{pk}	kA	64
with 12 x 10 mm bar	/pk	A	56
with 20 x 10 mm busbar	I _{pk}	kA	56
with 30 x 10 mm busbar	I _{pk}	kA	73
Rated uninterrupted current			With temperature deviations, DIN 43671 stipulates that a correction factor k2 must be taken into account
Rated uninterrupted current	I _u	A	
T _u = 35 °C and T _s = 65 °C			
with 12 x 5 mm bar	I _u	A	218
with 15 x 5 mm bar	I _u	A	273
with 20 x 5 mm busbar	I _u	A	349
with 25 x 5 mm bar	I _u	A	436
with 30 x 5 mm bar	I _u	A	491
with 12 x 10 mm bar	I _u	A	392
with 20 x 10 mm busbar	I _u	A	567
with 30 x 10 mm busbar	I _u	A	687
Busbar temperature		°C	
Busbar temperature max.		°C	70
Short-circuit duration	T	ms	20

Electrical data

Rated frequency	f	Hz	50/60
Rated operational current	I _e	A	630

Material characteristics

Material			Thermoplast, silicon free, chlorine free Halogen free
Colour			RAL 7035
Flammability characteristics			Self-extinguishing to UL 94
Track resistance			CTI 200
Temperature resistant			to 120°C

Notes

For different intervals between busbar supports see characteristic curve.

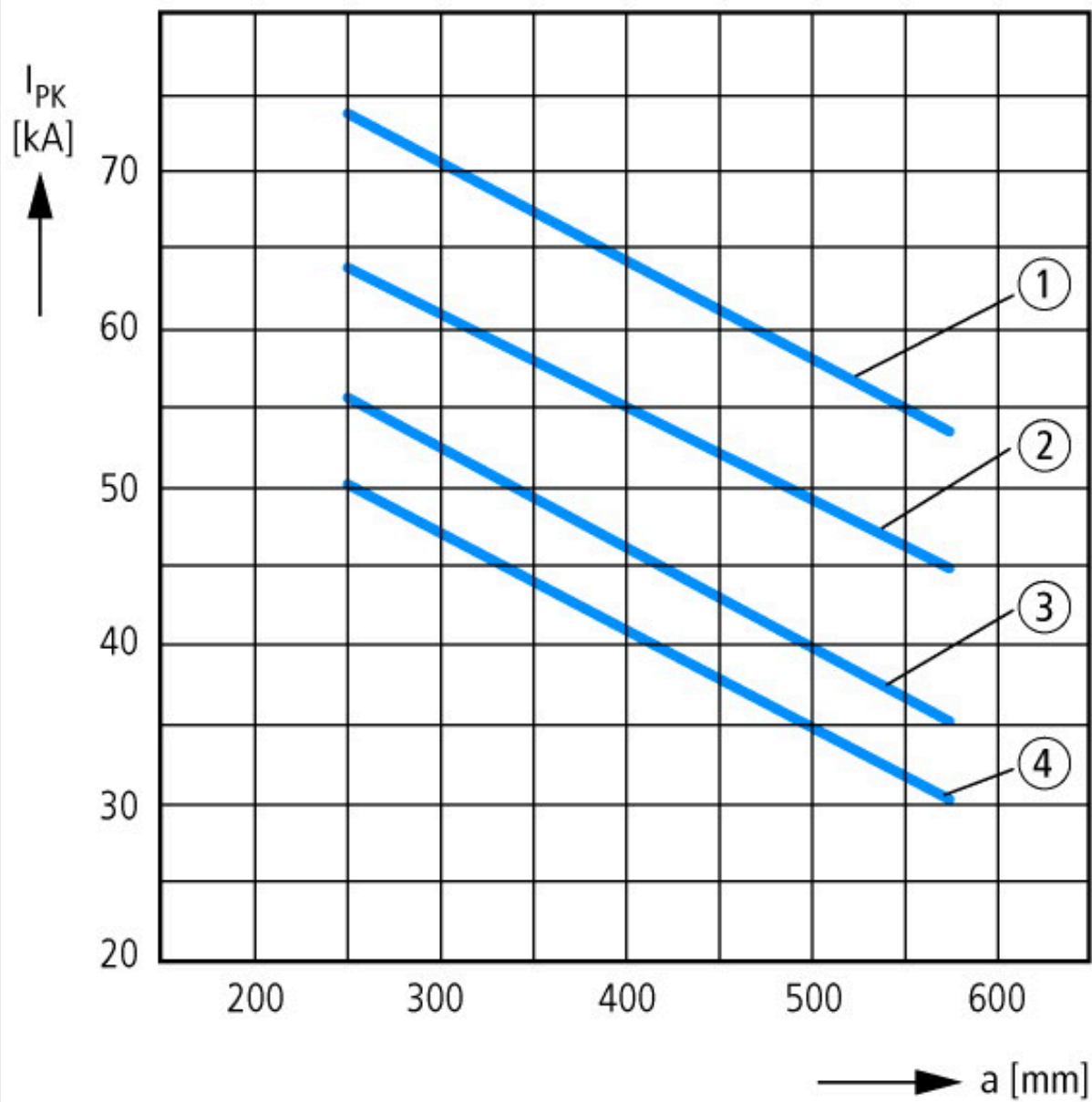
Design verification as per IEC/EN 61439

Technical data for design verification			
Operating ambient temperature max.		°C	35

Technical data ETIM 8.0

Energy distribution systems (EG000015) / Busbar support (EC001166)			
Electric engineering, automation, process control engineering / Electrical insulation and connecting material / Energy distribution system / Busbar support (ecl@ss10.0.1-27-40-06-07 [AC0377011])			
Number of poles			3
Max. rated current		A	630
Busbar distance		mm	60

Characteristics



① 30 x 10 mm

② 30 x 5 mm

③ 12 x 10 mm

20 x 10 mm

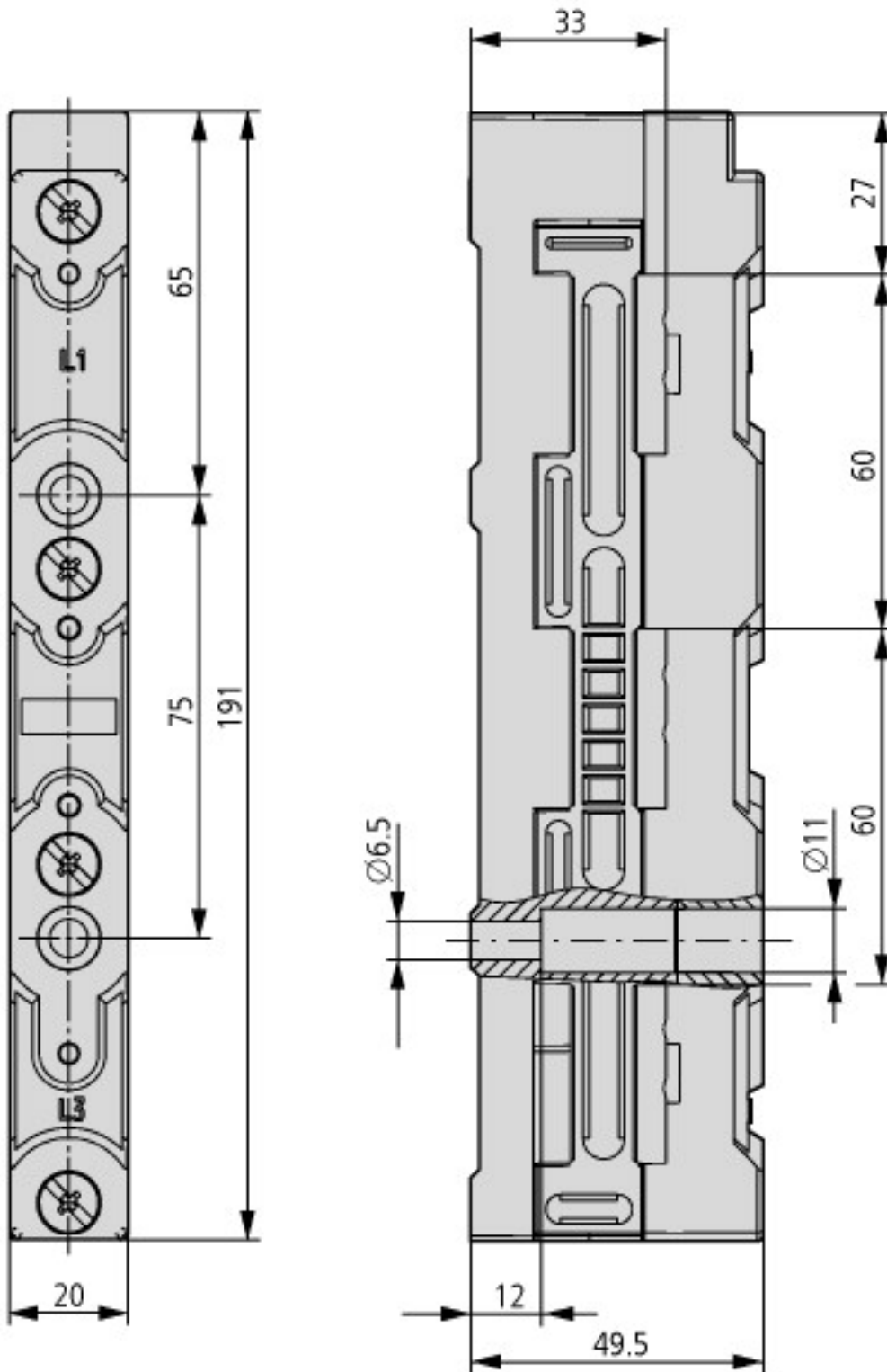
④ 12 x 5 mm

20 x 5 mm

I_{pk} = Rated peak withstand current

a = spacing of busbar supports

Dimensions



Additional product information (links)

Electrical load

<http://ecat.moeller.net/flip-cat/?edition=HPLEN&startpage=16.39>

Short-circuit rating

<http://ecat.moeller.net/flip-cat/?edition=HPLEN&startpage=16.40>