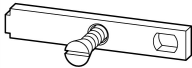




Wall fixing strap, stainless steel, with screw, (1 set = 4 units)

Part no. BL-CI-VA
Catalog No. 038541

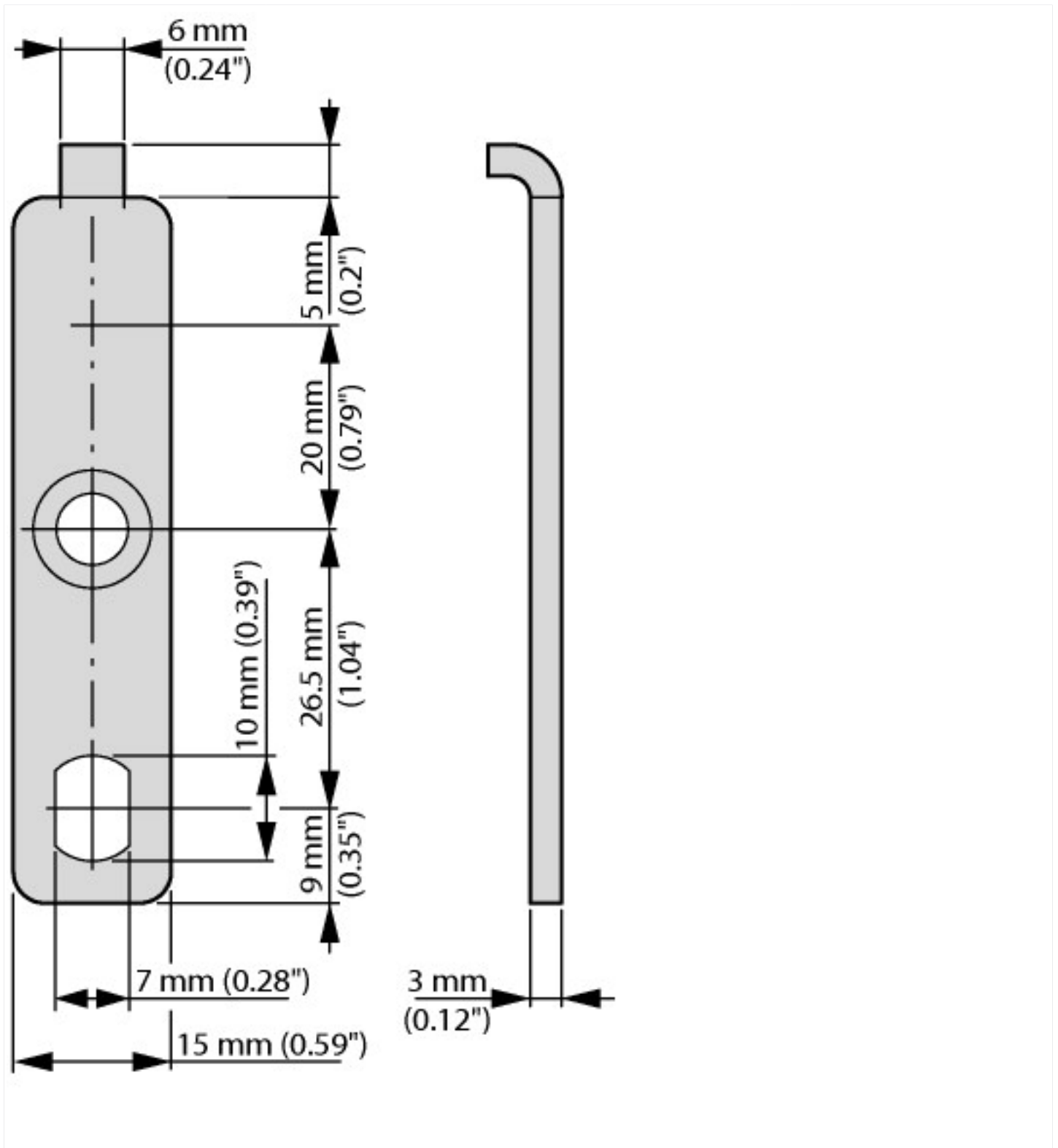
Delivery program

			
Product range			Ci insulated enclosures
Product range			Ci insulated enclosures
Basic function			Basic enclosures
Product function			Accessories for enclosure assembly
Accessories			Fixing strap kits
Single unit/Complete unit			Modular system
Function			For securing Ci enclosures directly to the wall
Information about equipment supplied			Each set contains 4 straps.
For use with			Max. 4 CI43... enclosures
Material			Steel V2A

Technical data ETIM 8.0

Cabinet enclosures (EG000011) / Components for arrangement / baying system (enclosure/cabinet) (EC002622)			
Electric engineering, automation, process control engineering / Electrical cabinet, housing, rack / Elements for switching cabinet, housing, rack / Component for arrangement/baying system (electrical cabinet) (ecl@ss10.0.1-27-18-28-13 [ACN631012])			
Model			Mounting angle
Width		mm	72
Height		mm	15
Depth		mm	7
Material			Steel
Colour			Other
RAL-number			0

Dimensions



Additional product information (links)

[allowInterrupt=1&RevisionSelectionMethod=LatestReleased&noSaveAs=0&Renderit](http://www.eaton.eu/DE/ecm/idcplg?IdcService=GET_FILE&model%20certification%20xEnergy%20Safety%20Ci) [http://www.eaton.eu/DE/ecm/idcplg?IdcService=GET_FILE&model certification xEnergy Safety Ci](http://www.eaton.eu/DE/ecm/idcplg?IdcService=GET_FILE&model%20certification%20xEnergy%20Safety%20Ci)

[allowInterrupt=1&RevisionSelectionMethod=LatestReleased&noSaveAs=0&Renderit](http://www.eaton.eu/DE/ecm/idcplg?IdcService=GET_FILE&Save%20time%20-%20we%20assist%20you%20with%20expert%20pre-assembly) http://www.eaton.eu/DE/ecm/idcplg?IdcService=GET_FILE&Save time - we assist you with expert pre-assembly

[allowInterrupt=1&RevisionSelectionMethod=LatestReleased&noSaveAs=0&Renderit](http://www.eaton.eu/DE/ecm/idcplg?IdcService=GET_FILE&product%20information%20xEnergy%20Safety%20Ci) http://www.eaton.eu/DE/ecm/idcplg?IdcService=GET_FILE&product information xEnergy Safety Ci

tool for calculating the power loss for switching device combinations

<http://www.eaton.eu/DE/Europe/Electrical/Customersupport/ConfigurationTools/TCTool/index.htm>

configurator - xEnergy family

<http://www.eaton.eu/DE/Europe/Electrical/Customersupport/ConfigurationTools/xEnergyMainSupport/index.htm>