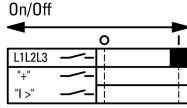
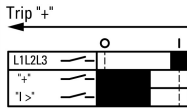
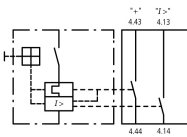


Trip indicator, 2 x 1 N/O, Screw terminals

Part no. AGM2-10-PKZ0
Catalog No. 072898
Alternate Catalog No. XTPAXSATR20
EL-Nummer (Norway) 4355133

Delivery program

Product range		Accessories
Accessories		Trip-indicating auxiliary contacts Differential status indication a) General trip indication (overload) b) Short-circuit release Short-circuits indicated locally by means of a red indicator that can be manually reset
Contacts		
N/O = Normally open		2 x 1 N/O
Contact diagram		 
Contact sequence		
Connection technique		Screw terminals
For use with		Trip indicator PKZ0(4), PKE
For use with		PKZM0 PKZM4 PKZM0-T PKM0 PKZM01 PKE
Can be combined with auxiliary contact		NHI11-PKZ0 NHI12-PKZ0 NHI21-PKZ0 NHI-E...
Notes Can be fitted to the right of: Motor protective circuit-breaker		

Technical data

Auxiliary contacts

Rated impulse withstand voltage	U _{imp}	V AC	6000	
Overvoltage category/pollution degree			III/3	
Rated operational voltage	U _e	V		
	U _e	V DC	250	
Safe isolation to EN 61140				
	Between auxiliary contacts and main contacts	V AC	690	
Rated operational current	I _e	A		
	AC-15			
	220 - 240 V	I _e	A	3.5
	380 - 415 V	I _e	A	2
	440 V 500 V	I _e	A	1

DC-13 L/R - 100 ms			
24 V	I_e	A	2
60 V	I_e	A	1
110 V	I_e	A	0.5
220 V	I_e	A	0.25
Lifespan		S	
Lifespan, electrical	Operations	$\times 10^6$	0.05
Control circuit reliability	Failure rate	λ	$<10^{-8}$, < one failure at 100 million operations (at $U_e = 24$ V DC, $U_{min} = 17$ V, $I_{min} = 5.4$ mA)
Short-circuit rating without welding			
Fuseless		Type	FAZ-B4/1-HI
Fuse		A gG/gL	10

Terminal capacities

Solid or flexible conductor, with ferrule	mm^2	0,75 - 2,5
Solid or stranded	AWG	18 - 14

Rating data for approved types

Pilot Duty			
AC operated			A600
DC operated			Q300
General Use			
AC		V	600
AC		A	5
DC		V	250
DC		A	1

Design verification as per IEC/EN 61439

Technical data for design verification			
Rated operational current for specified heat dissipation	I_n	A	3.5
Heat dissipation per pole, current-dependent	P_{vid}	W	0.1
Equipment heat dissipation, current-dependent	P_{vid}	W	0
Static heat dissipation, non-current-dependent	P_{vs}	W	0
Heat dissipation capacity	P_{diss}	W	0
Operating ambient temperature min.		°C	-25
Operating ambient temperature max.		°C	55
IEC/EN 61439 design verification			
10.2 Strength of materials and parts			
10.2.2 Corrosion resistance			Meets the product standard's requirements.
10.2.3.1 Verification of thermal stability of enclosures			Meets the product standard's requirements.
10.2.3.2 Verification of resistance of insulating materials to normal heat			Meets the product standard's requirements.
10.2.3.3 Verification of resistance of insulating materials to abnormal heat and fire due to internal electric effects			Meets the product standard's requirements.
10.2.4 Resistance to ultra-violet (UV) radiation			Meets the product standard's requirements.
10.2.5 Lifting			Does not apply, since the entire switchgear needs to be evaluated.
10.2.6 Mechanical impact			Does not apply, since the entire switchgear needs to be evaluated.
10.2.7 Inscriptions			Meets the product standard's requirements.
10.3 Degree of protection of ASSEMBLIES			Does not apply, since the entire switchgear needs to be evaluated.
10.4 Clearances and creepage distances			Meets the product standard's requirements.
10.5 Protection against electric shock			Does not apply, since the entire switchgear needs to be evaluated.
10.6 Incorporation of switching devices and components			Does not apply, since the entire switchgear needs to be evaluated.
10.7 Internal electrical circuits and connections			Is the panel builder's responsibility.
10.8 Connections for external conductors			Is the panel builder's responsibility.
10.9 Insulation properties			
10.9.2 Power-frequency electric strength			Is the panel builder's responsibility.
10.9.3 Impulse withstand voltage			Is the panel builder's responsibility.
10.9.4 Testing of enclosures made of insulating material			Is the panel builder's responsibility.

10.10 Temperature rise		The panel builder is responsible for the temperature rise calculation. Eaton will provide heat dissipation data for the devices.
10.11 Short-circuit rating		Is the panel builder's responsibility. The specifications for the switchgear must be observed.
10.12 Electromagnetic compatibility		Is the panel builder's responsibility. The specifications for the switchgear must be observed.
10.13 Mechanical function		The device meets the requirements, provided the information in the instruction leaflet (IL) is observed.

Technical data ETIM 8.0

Low-voltage industrial components (EG000017) / Auxiliary contact block (EC000041)

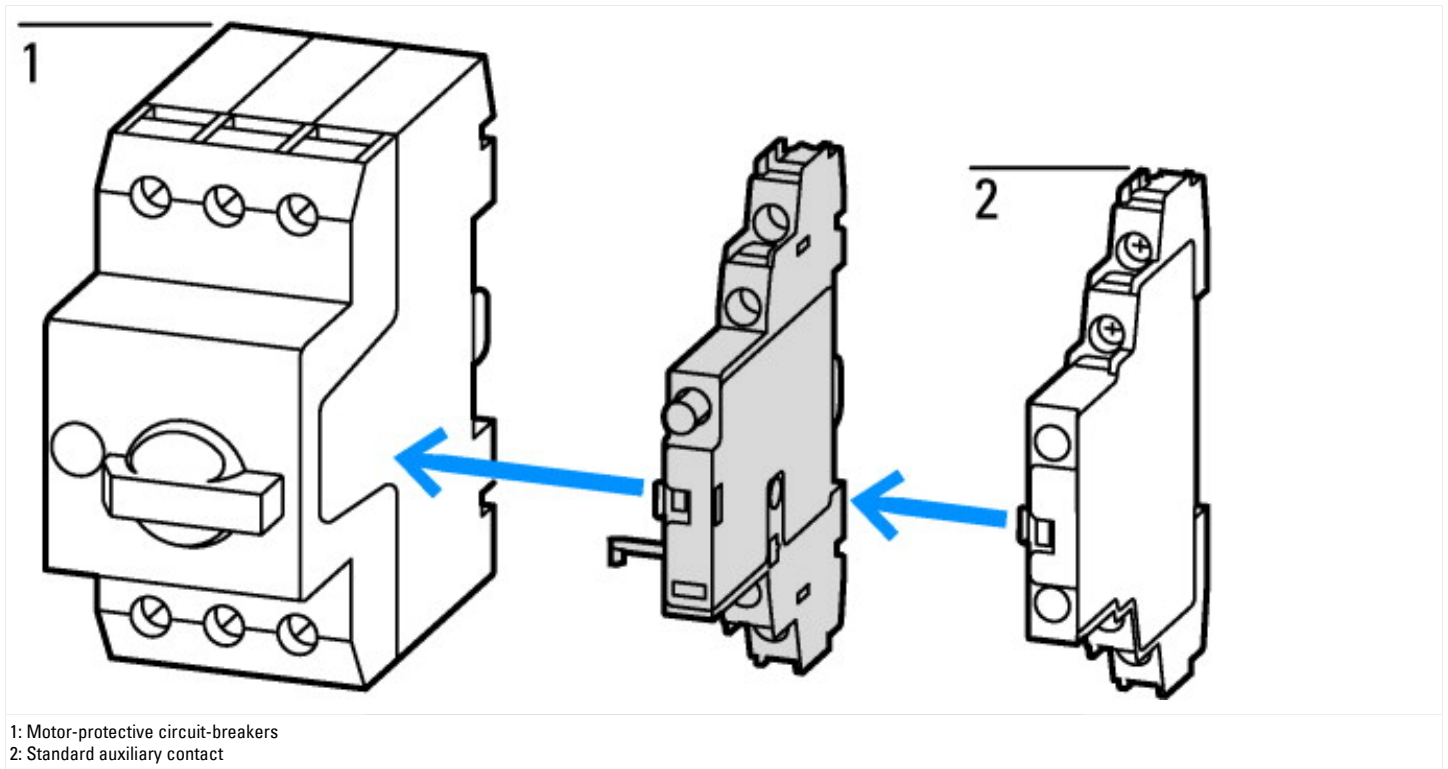
Electric engineering, automation, process control engineering / Low-voltage switch technology / Component for low-voltage switching technology / Auxiliary switch block (ec1@ss10.0.1-27-37-13-02 [AKN342013])

Number of contacts as change-over contact		0
Number of contacts as normally open contact		2
Number of contacts as normally closed contact		0
Number of fault-signal switches		1
Rated operation current I _e at AC-15, 230 V	A	3.5
Type of electric connection		Screw connection
Model		Top mounting
Mounting method		Side mounting
Lamp holder		None

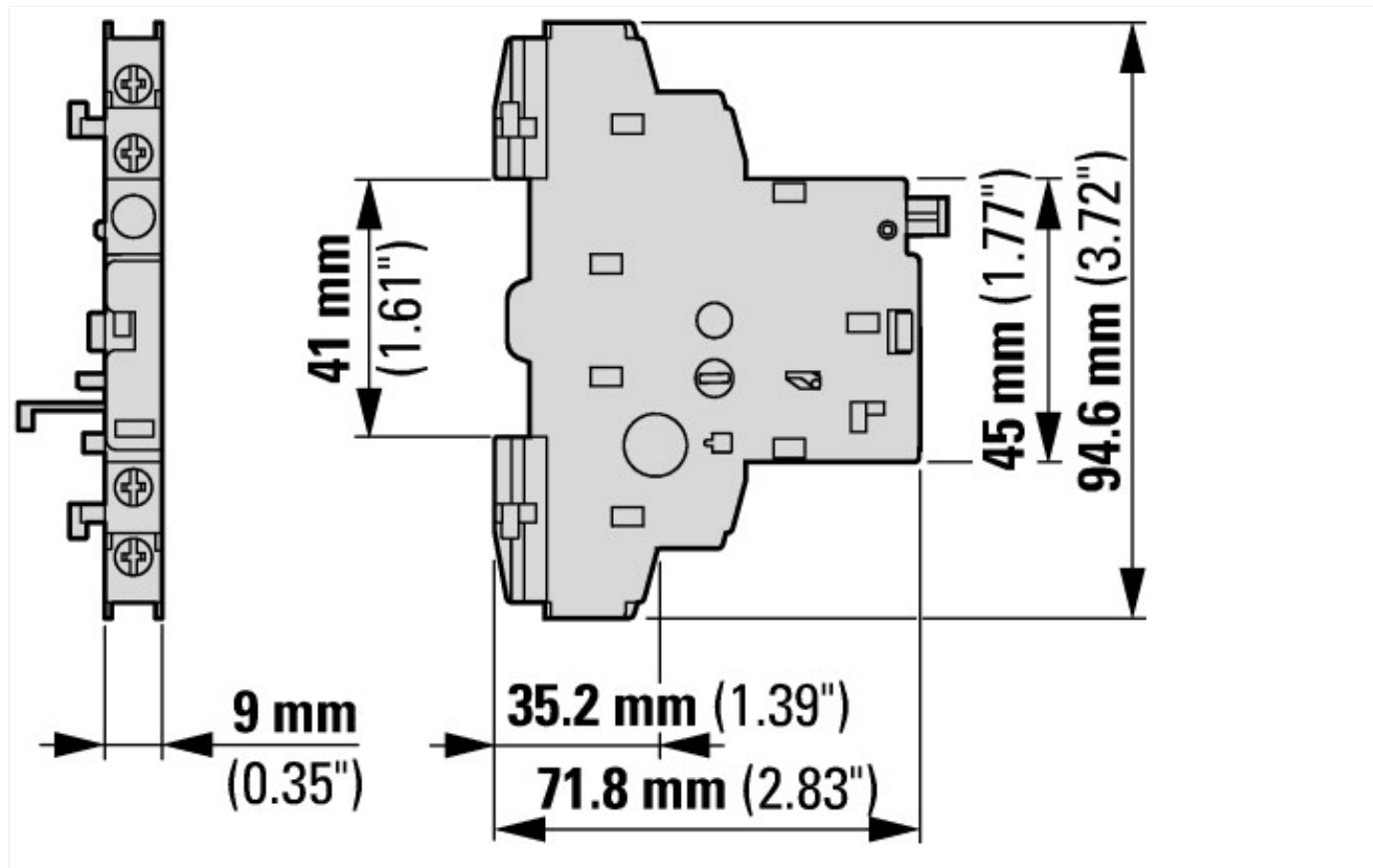
Approvals

Product Standards		UL 508; CSA-C22.2 No. 14; IEC60947-4-1; CE marking
UL File No.		E36332
UL Category Control No.		NLRV
CSA File No.		165628
CSA Class No.		3211-05
North America Certification		UL listed, CSA certified
Specially designed for North America		No

Characteristics



Dimensions



Additional product information (links)

IL03402030Z (AWA1210-1328) Trip-indicating auxiliary contact for PKZM0

IL03402030Z (AWA1210-1328) Trip-indicating auxiliary contact for PKZM0 https://es-assets.eaton.com/DOCUMENTATION/AWA_INSTRUCTIONS/IL03402030Z2021_08.pdf

IL03402034Z (AWA1210-1945) Motor-protective circuit-breaker, Starter

IL03402034Z (AWA1210-1945) Motor-protective circuit-breaker, Starter https://es-assets.eaton.com/DOCUMENTATION/AWA_INSTRUCTIONS/IL03402034Z2021_06.pdf

Motor starters and "Special Purpose Ratings" for the North American market http://www.eaton.eu/ecm/groups/public/@pub/@europe/@electrical/documents/content/pct_3258146.pdf

Busbar Component Adapters for modern Industrial control panels http://www.moeller.net/binary/ver_techpapers/ver960en.pdf