



Standard auxiliary contact, NHI-E, 1 N/O, 1 NC, Can be fitted to the front, Screw terminals



Part no. NHI-E-11-PKZ0
Catalog No. 082882
Alternate Catalog No. XTPAXFA11
EL-Nummer (Norway) 4355153

Delivery program

Product range		Accessories
Accessories		Standard auxiliary contact
		Can be fitted to the front Terminal designation differs to that of an auxiliary contact that can be fitted to the side
Contacts		
N/O = Normally open		1 N/O
N/C = Normally closed		1 NC
Contact diagram		
Contact sequence		
Connection technique		Screw terminals
For use with		PKZ0(4) standard auxiliary contacts
For use with		PKZM01 PKZM0 PKZM4 PKZM0-T PKM0 PKE
Notes Can be fitted to: Motor protective circuit-breaker Transformer-protective circuit-breaker Motor protective circuit breaker for starter combinations (From serial number 01) 45 mm (PKZM0 and PKZM01) or 55 mm (PKZM4) widths of the motor-protective circuit-breakers remain unchanged.		

Technical data

Auxiliary contacts

Rated impulse withstand voltage	U_{imp}	V AC	4000	
Overtoltage category/pollution degree			III/3	
Rated operational voltage	U_e	V		
	U_e	V AC	440	
	U_e	V DC	250	
Safe isolation to EN 61140				
	Between auxiliary contacts and main contacts	V AC	690	
Rated operational current	I_e	A		
	AC-15			
	220 - 240 V	I_e	A	1
	DC-13 L/R - 100 ms			
	I_e	A	2	
Lifespan		S		
	Lifespan, mechanical	Operations	$\times 10^6$	> 0.1
	Lifespan, electrical	Operations	$\times 10^6$	0.1
Control circuit reliability	Failure rate	λ	$< 10^{-8}$, < one failure at 100 million operations (at $U_e = 24$ V DC, $U_{min} = 17$ V, $I_{min} = 5.4$ mA)	
Short-circuit rating without welding				

Fuse	A gG/gL	10
------	---------	----

Terminal capacities

Solid or flexible conductor, with ferrule	mm ²	0,75 - 1,5
Solid or stranded	AWG	18 - 16

Rating data for approved types

Pilot Duty		
AC operated		E150
General Use		
DC	V	250
DC	A	0.5

Design verification as per IEC/EN 61439

Technical data for design verification			
Rated operational current for specified heat dissipation	I _n	A	1
Heat dissipation per pole, current-dependent	P _{vid}	W	0.01
Equipment heat dissipation, current-dependent	P _{vid}	W	0
Static heat dissipation, non-current-dependent	P _{vs}	W	0
Heat dissipation capacity	P _{diss}	W	0
Operating ambient temperature min.		°C	-25
Operating ambient temperature max.		°C	55
IEC/EN 61439 design verification			
10.2 Strength of materials and parts			
10.2.2 Corrosion resistance			Meets the product standard's requirements.
10.2.3.1 Verification of thermal stability of enclosures			Meets the product standard's requirements.
10.2.3.2 Verification of resistance of insulating materials to normal heat			Meets the product standard's requirements.
10.2.3.3 Verification of resistance of insulating materials to abnormal heat and fire due to internal electric effects			Meets the product standard's requirements.
10.2.4 Resistance to ultra-violet (UV) radiation			Meets the product standard's requirements.
10.2.5 Lifting			Does not apply, since the entire switchgear needs to be evaluated.
10.2.6 Mechanical impact			Does not apply, since the entire switchgear needs to be evaluated.
10.2.7 Inscriptions			Meets the product standard's requirements.
10.3 Degree of protection of ASSEMBLIES			Does not apply, since the entire switchgear needs to be evaluated.
10.4 Clearances and creepage distances			Meets the product standard's requirements.
10.5 Protection against electric shock			Does not apply, since the entire switchgear needs to be evaluated.
10.6 Incorporation of switching devices and components			Does not apply, since the entire switchgear needs to be evaluated.
10.7 Internal electrical circuits and connections			Is the panel builder's responsibility.
10.8 Connections for external conductors			Is the panel builder's responsibility.
10.9 Insulation properties			
10.9.2 Power-frequency electric strength			Is the panel builder's responsibility.
10.9.3 Impulse withstand voltage			Is the panel builder's responsibility.
10.9.4 Testing of enclosures made of insulating material			Is the panel builder's responsibility.
10.10 Temperature rise			The panel builder is responsible for the temperature rise calculation. Eaton will provide heat dissipation data for the devices.
10.11 Short-circuit rating			Is the panel builder's responsibility. The specifications for the switchgear must be observed.
10.12 Electromagnetic compatibility			Is the panel builder's responsibility. The specifications for the switchgear must be observed.
10.13 Mechanical function			The device meets the requirements, provided the information in the instruction leaflet (IL) is observed.

Technical data ETIM 8.0

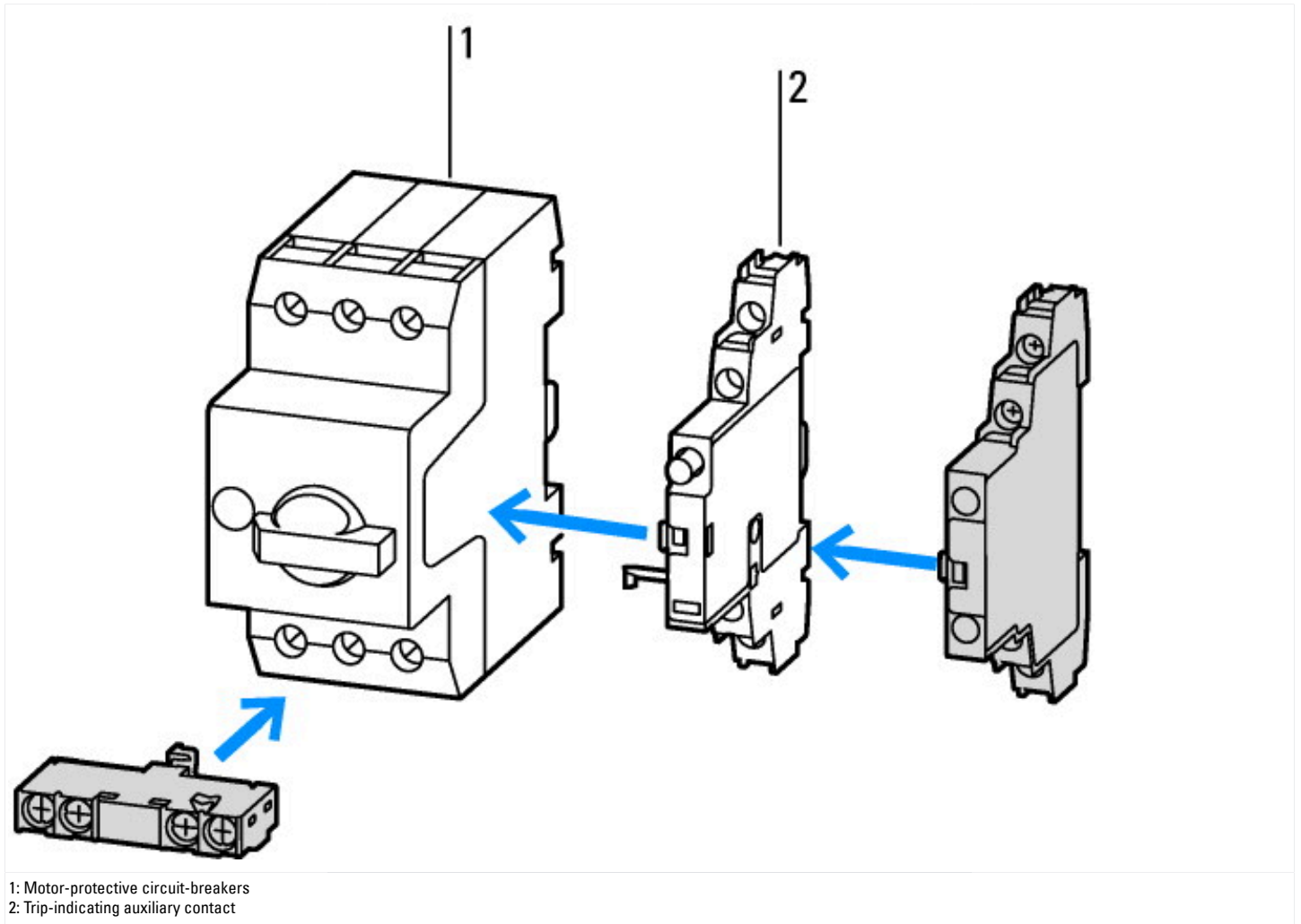
Low-voltage industrial components (EG000017) / Auxiliary contact block (EC000041)			
Electric engineering, automation, process control engineering / Low-voltage switch technology / Component for low-voltage switching technology / Auxiliary switch block (ecl@ss10.0.1-27-37-13-02 [AKN342013])			
Number of contacts as change-over contact			0
Number of contacts as normally open contact			1
Number of contacts as normally closed contact			1
Number of fault-signal switches			0

Rated operation current I _e at AC-15, 230 V	A	1
Type of electric connection		Screw connection
Model		Top mounting
Mounting method		Front fastening
Lamp holder		None

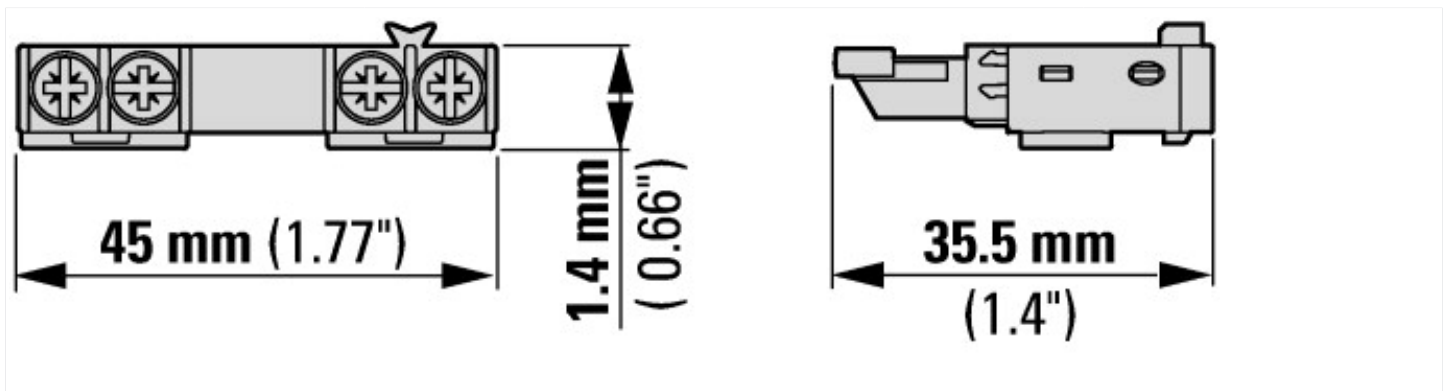
Approvals

Product Standards		UL 508; CSA-C22.2 No. 14; IEC60947-4-1; CE marking
UL File No.		E36332
UL Category Control No.		NLRV
CSA File No.		165628
CSA Class No.		3211-05
North America Certification		UL listed, CSA certified
Specially designed for North America		No

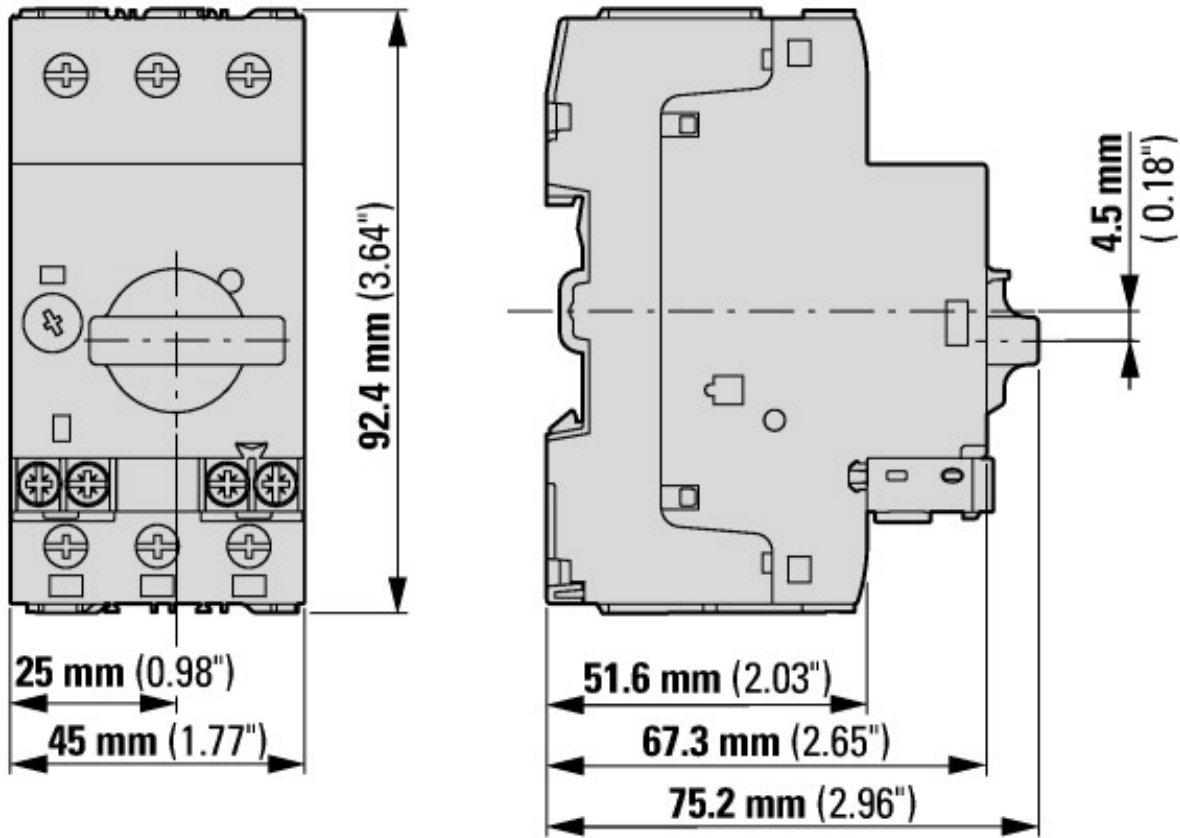
Characteristics



Dimensions



PKZM0-...(+NHI-E-...-PKZ0)
 PKZM0-...-T(+NHI-E-...-PKZ0)
 PKM0-...(+NHI-E-...-PKZ0)



Additional product information (links)

IL03402034Z (AWA1210-1945) Motor-protective circuit-breaker, Starter

IL03402034Z (AWA1210-1945) Motor-protective circuit-breaker, Starter https://es-assets.eaton.com/DOCUMENTATION/AWA_INSTRUCTIONS/IL03402034Z2021_06.pdf

IL03801004Z (AWA1210-1501) Integrated auxiliary contact

IL03801004Z (AWA1210-1501) Integrated auxiliary contact https://es-assets.eaton.com/DOCUMENTATION/AWA_INSTRUCTIONS/IL03801004Z.pdf

Motor starters and "Special Purpose Ratings" for the North American market http://www.eaton.eu/ecm/groups/public/@pub/@europe/@electrical/documents/content/pct_3258146.pdf

Busbar Component Adapters for modern Industrial control panels http://www.moeller.net/binary/ver_techpapers/ver960en.pdf