



Metal angle bracket, including M20 cable gland

Part no. SL7/4-FW-T
Catalog No. 171455
Alternate Catalog No. SL7/4-FW-T
EL-Nummer (Norway) 4137710

Delivery program

Product range		Accessories
Basic function accessories		Including mounting bracket M20 cable gland
Material		Metal
Mounting type		for vertical mounting
		Gasket included as standard
For use with		SL4-PIB-T... SL7-CB-T...
Connection to SmartWire-DT		no

Design verification as per IEC/EN 61439

Technical data for design verification			
Operating ambient temperature min.		°C	-30
Operating ambient temperature max.		°C	60

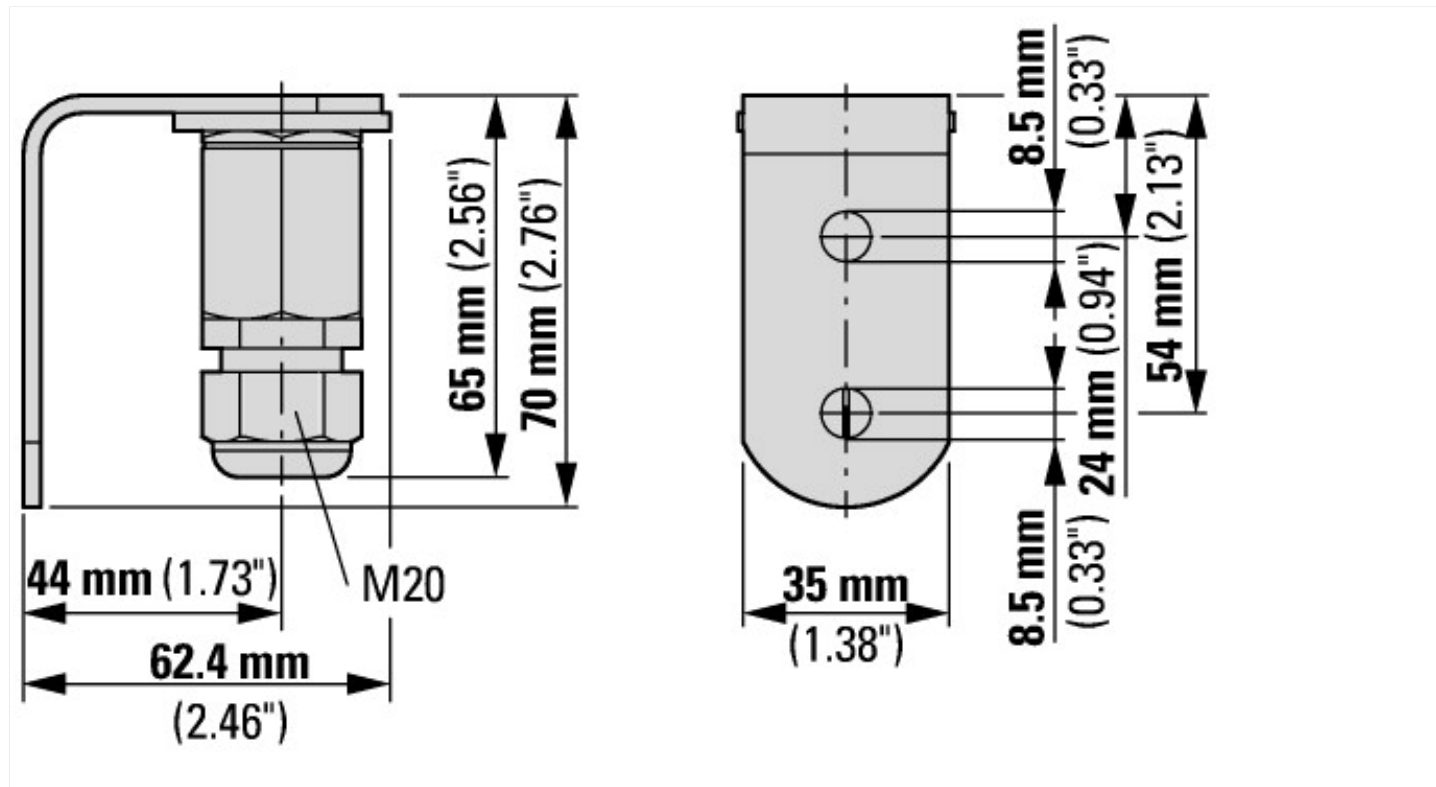
Technical data ETIM 7.0

Low-voltage industrial components (EG000017) / Wall bracket for signal tower (EC001153)		
Electric engineering, automation, process control engineering / Low-voltage switch technology / Command and alarm device / Signal column element, attaching bracket (ecI@ss10.0.1-27-37-12-33 [AKF051014])		
Mounting method		Wall mounting
Colour		Other

Approvals

Product Standards		IEC/EN 60947-5-1; UL 508; CSA-C22.2 No. 14-10; CSA-C22.2 No. 94-91; CE marking
UL File No.		E29184
UL Category Control No.		NKCR
CSA File No.		UL report applies to both US and Canada
CSA Class No.		NKCR7
North America Certification		UL listed, certified by UL for use in Canada
Degree of Protection		UL Type 4, 4X, 13

Dimensions



Additional product information (links)

IL047006ZU SL4/7 Accessories

IL047006ZU SL4/7 Accessories

ftp://ftp.moeller.net/DOCUMENTATION/AWA_INSTRUCTIONS/IL047006ZU2018_05.pdf