



Plastic angle bracket for vertical installation

Part no. SL7/4-FW
Catalog No. 171446
Alternate Catalog No. SL7/4-FW
EL-Nummer (Norway) 4137701

Delivery program

Product range		Accessories
Basic function accessories		Mounting brackets
Material		Plastic
Mounting type		for vertical mounting
		Fixing screws for base modules included with supplied equipment
For use with		SL4-PIB-100(250)(400) SL4-FMS... SL7-CB-100(250)(400) SL7-FMS...
Connection to SmartWire-DT		no

Design verification as per IEC/EN 61439

Technical data for design verification		
Operating ambient temperature min.	°C	-30
Operating ambient temperature max.	°C	60

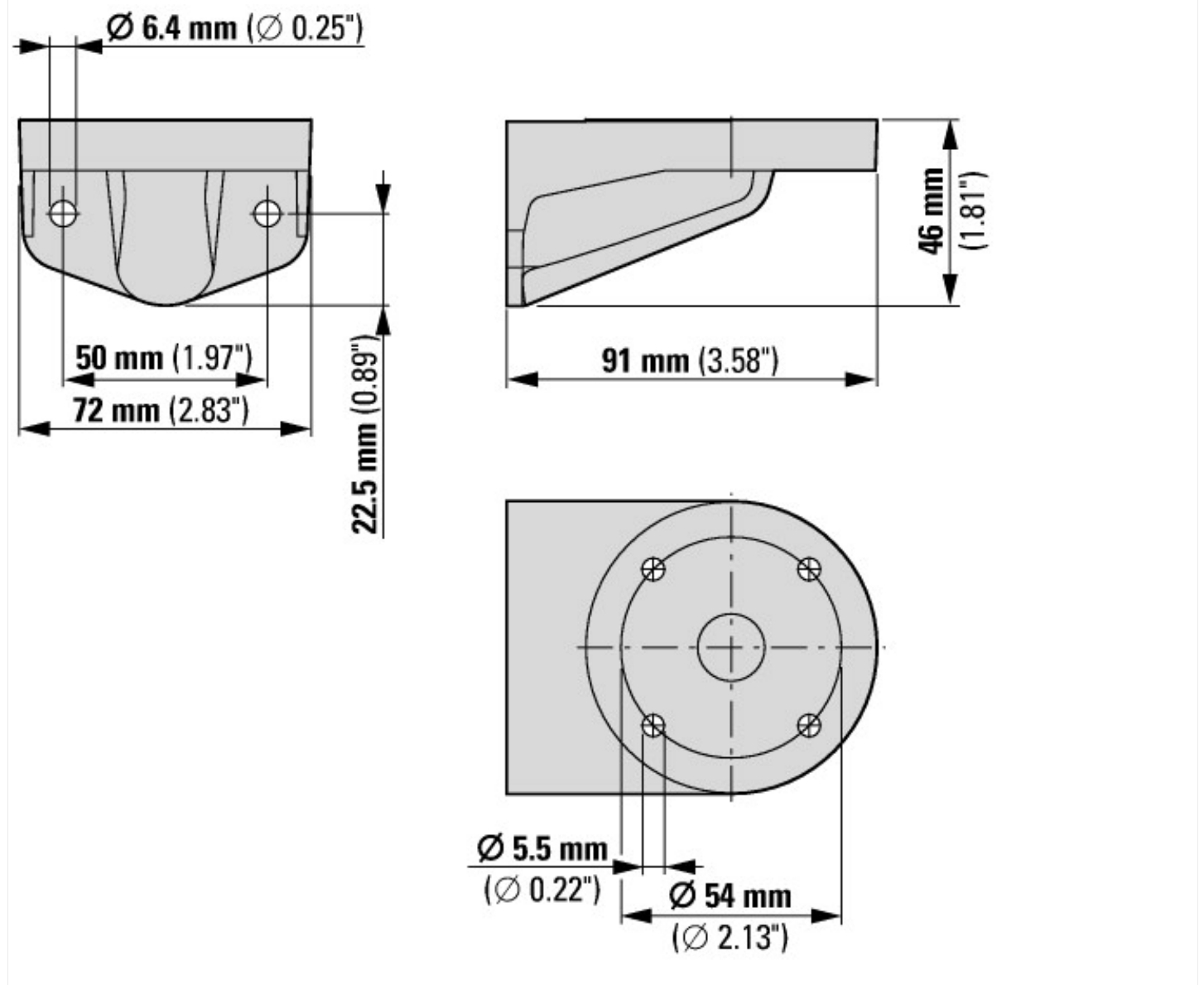
Technical data ETIM 7.0

Low-voltage industrial components (EG000017) / Wall bracket for signal tower (EC001153)		
Electric engineering, automation, process control engineering / Low-voltage switch technology / Command and alarm device / Signal column element, attaching bracket (ec1@ss10.0.1-27-37-12-33 [AKF051014])		
Mounting method		Wall mounting
Colour		Black

Approvals

Product Standards		IEC/EN 60947-5-1; UL 508; CSA-C22.2 No. 14-10; CSA-C22.2 No. 94-91; CE marking
UL File No.		E29184
UL Category Control No.		NKCR
CSA File No.		UL report applies to both US and Canada
CSA Class No.		NKCR7
North America Certification		UL listed, certified by UL for use in Canada
Degree of Protection		UL Type 4, 4X, 13

Dimensions



Additional product information (links)

IL047006ZU SL4/7 Accessories

IL047006ZU SL4/7 Accessories

ftp://ftp.moeller.net/DOCUMENTATION/AWA_INSTRUCTIONS/IL047006ZU2018_05.pdf