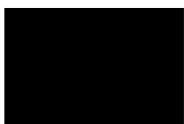




Base module;connection to SmartWire-DT

Part no. **SL4-SWD**
 Catalog No. **171311**
 Alternate Catalog No. **SL4-SWD**
 EL-Nummer (Norway) **4137547**

Delivery program

Product range			SL signal towers
Basic function			Base module
Product range			SmartWire-DT slave
Subrange			SmartWire-DT Signal towers
Connection technique			Blade terminal SWD4-8MF2
Mounting type			for horizontal mounting
Fitted with			Base with base adapter for slipping onto place (rapid mounting and wiring system) including cover
Tube length			100 mm
Description			External power supply connectable (24 V DC) Configurable with SWD-Assist (planning and ordering tool) Further technical data, see manual MN05006001Z.
Number of modules			max. 5 modules max. 0.3 A per module
Colour			
			black Aluminum color tube
			
For use with			SL4-L-... SL4-BL-... SL4-FL-... SL4-AP-...
Connection to SmartWire-DT			yes

Technical data

General

Standards			IEC/EN 60947-5-1
Climatic proofing			Damp heat, cyclic, to IEC 60068-2-30
Mounting position			As required
Mechanical shock resistance		g	> 15 according to IEC 60068-2-27 Shock duration 11 ms Sinusoidal
IEC degree of protection			IP66 IEC/EN 60529
Protection type UL			Type 4, 4X, 13
Cap colour			black Aluminum color tube
Ambient temperature		°C	-30 - +60
Number of signal elements			Max. 5 with standard base Max. 10 with base for mounting on both sides

Design verification as per IEC/EN 61439

Technical data for design verification			
--	--	--	--

Operating ambient temperature min.	°C	-30
Operating ambient temperature max.	°C	60

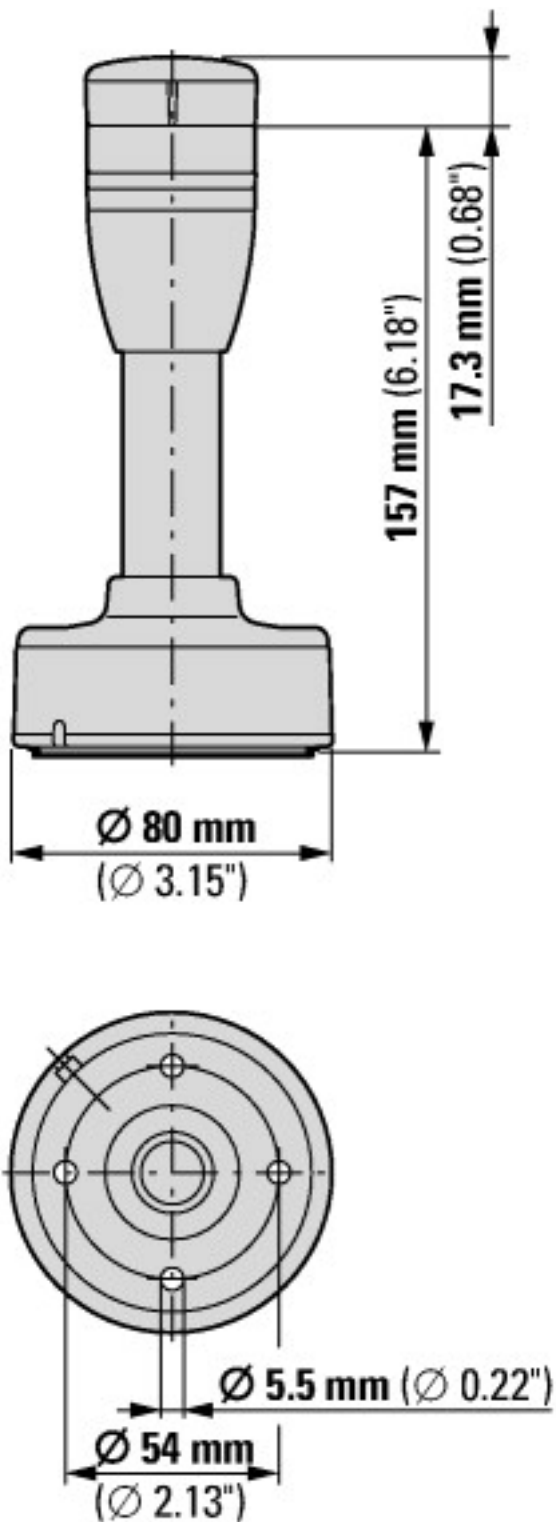
Technical data ETIM 7.0

Low-voltage industrial components (EG000017) / Connection module for signal tower (EC001152)		
Electric engineering, automation, process control engineering / Low-voltage switch technology / Command and alarm device / Signal column element, connection module (ec@ss10.0.1-27-37-12-32 [AKF050014])		
Connection type auxiliary circuit		Spring clamp connection
Tube mounting possible		No
Bracket mounting possible		Yes
Floor mounting possible		Yes
Colour		Other
Suitable for AS interface		No

Approvals

Product Standards		IEC/EN 60947-5-1; UL 508; CSA-C22.2 No. 14-10; CSA-C22.2 No. 94-91; CE marking
North America Certification		Request filed for UL and CSA
Degree of Protection		UL Type 4, 4X, 13

Dimensions



Assets (links)

Declaration of CE Conformity

00002899

Instruction Leaflets

IL047008ZU2018_04

Manuals

MN05006001Z_EN (English)

MN05006002Z_EN (English)

Additional product information (links)

IL047008ZU Signal towers SL4, SL7 with SWD connection

IL047008ZU Signal towers SL4, SL7 with SWD connection ftp://ftp.moeller.net/DOCUMENTATION/AWA_INSTRUCTIONS/IL047008ZU2018_11.pdf

MN05006002Z (AWB2723-1617) SmartWire-DT, The system

MN05006002Z (AWB2723-1617) SmartWire-DT, Das System - Deutsch	ftp://ftp.moeller.net/DOCUMENTATION/AWB_MANUALS/MN05006002Z_DE.pdf
MN05006002Z (AWB2723-1617) SmartWire-DT, The system - English	ftp://ftp.moeller.net/DOCUMENTATION/AWB_MANUALS/MN05006002Z_EN.pdf
MN05006002Z (AWB2723-1617) SmartWire-DT, il sistema - italiano	ftp://ftp.moeller.net/DOCUMENTATION/AWB_MANUALS/MN05006002Z_IT.pdf
MN05006001Z SmartWire-DT, modules	
MN05006001Z SmartWire-DT, Module - Deutsch	ftp://ftp.moeller.net/DOCUMENTATION/AWB_MANUALS/MN05006001Z_DE.pdf
MN05006001Z SmartWire-DT, modules - English	ftp://ftp.moeller.net/DOCUMENTATION/AWB_MANUALS/MN05006001Z_EN.pdf
MN05006001Z SmartWire-DT, modulo - italiano	ftp://ftp.moeller.net/DOCUMENTATION/AWB_MANUALS/MN05006001Z_IT.pdf