




Base module;250-mm aluminum tube and foot

Part no. **SL4-PIB-250**  
 Catalog No. **171298**  
 Alternate Catalog No. **SL4-PIB-250**  
 EL-Nummer (Norway) **4137534**

### Delivery program

|                            |  |  |
|----------------------------|--|--|
| Product range              |  | SL signal towers   |
| Basic function             |  | Base module  |
| Connection technique       |  | Push in terminals  |
| Mounting type              |  | for horizontal mounting  |
| Fitted with                |  | Base with aluminium tube and plastic foot including cover                            |
| Tube length                |  | 250 mm   |
| Number of modules          |  | max. 5 modules   |
| <b>Colour</b>              |  |  |
|                            |  | black<br>Aluminum color tube   |
|                            |  |  |
| For use with               |  | SL4-L-...<br>SL4-BL-...<br>SL4-FL-...<br>SL4-AP-...                                  |
| Connection to SmartWire-DT |  | no   |

### Technical data

|                             |    |   |
|-----------------------------|----|---|
| <b>General</b>              |    |   |
| Standards                   |    | IEC/EN 60947-5-1  |
| Climatic proofing           |    | Damp heat, cyclic, to IEC 60068-2-30                                      |
| Mounting position           |    | As required   |
| Mechanical shock resistance | g  | > 15<br>according to IEC 60068-2-27<br>Shock duration 11 ms<br>Sinusoidal |
| IEC degree of protection    |    | IP66<br>IEC/EN 60529  |
| Protection type UL          |    | Type 4, 4X, 13  |
| Cap colour                  |    | black<br>Aluminum color tube  |
| Ambient temperature         | °C | -30 - +60   |
| Number of signal elements   |    | Max. 5 with standard base   |

|   |  |                 |  |
|---|--|-----------------|--|
| Terminal capacity                         |  |                 | Max. 10 with base for mounting on both sides |
| Solid or flexible conductor               |  | mm <sup>2</sup> | 0.2 - 1.5                                    |
| Solid or flexible conductor, with ferrule |  | mm <sup>2</sup> | 0,25 - 1,5                                   |
| Flexible with ferrule with plastic collar |  | mm <sup>2</sup> | 0.25 - 0.75                                  |
|   |  |                 | AWG 24 - AWG 16                              |

## Contacts

|                                       |                  |      |       |
|---------------------------------------|------------------|------|-------|
| Rated impulse withstand voltage       | U <sub>imp</sub> | V AC | 4000  |
| Rated insulation voltage              | U <sub>i</sub>   | V    | 250   |
| Overvoltage category/pollution degree |                  |      | III/3 |

## modules

|               |  |  |   |
|---------------|--|--|---|
| Voltage range |  |  | 24 V AC/DC ± 10 %<br>110/120 V AC ± 10 %<br>230/240 V AC ± 10 % |
|---------------|--|--|---|

## Design verification as per IEC/EN 61439

|  |  |    |     |
|--|--|----|-----|
| Technical data for design verification |  |    |     |
| Operating ambient temperature min.     |  | °C | -30 |
| Operating ambient temperature max.     |  | °C | 60  |

## Technical data ETIM 7.0

Low-voltage industrial components (EG000017) / Connection module for signal tower (EC001152)

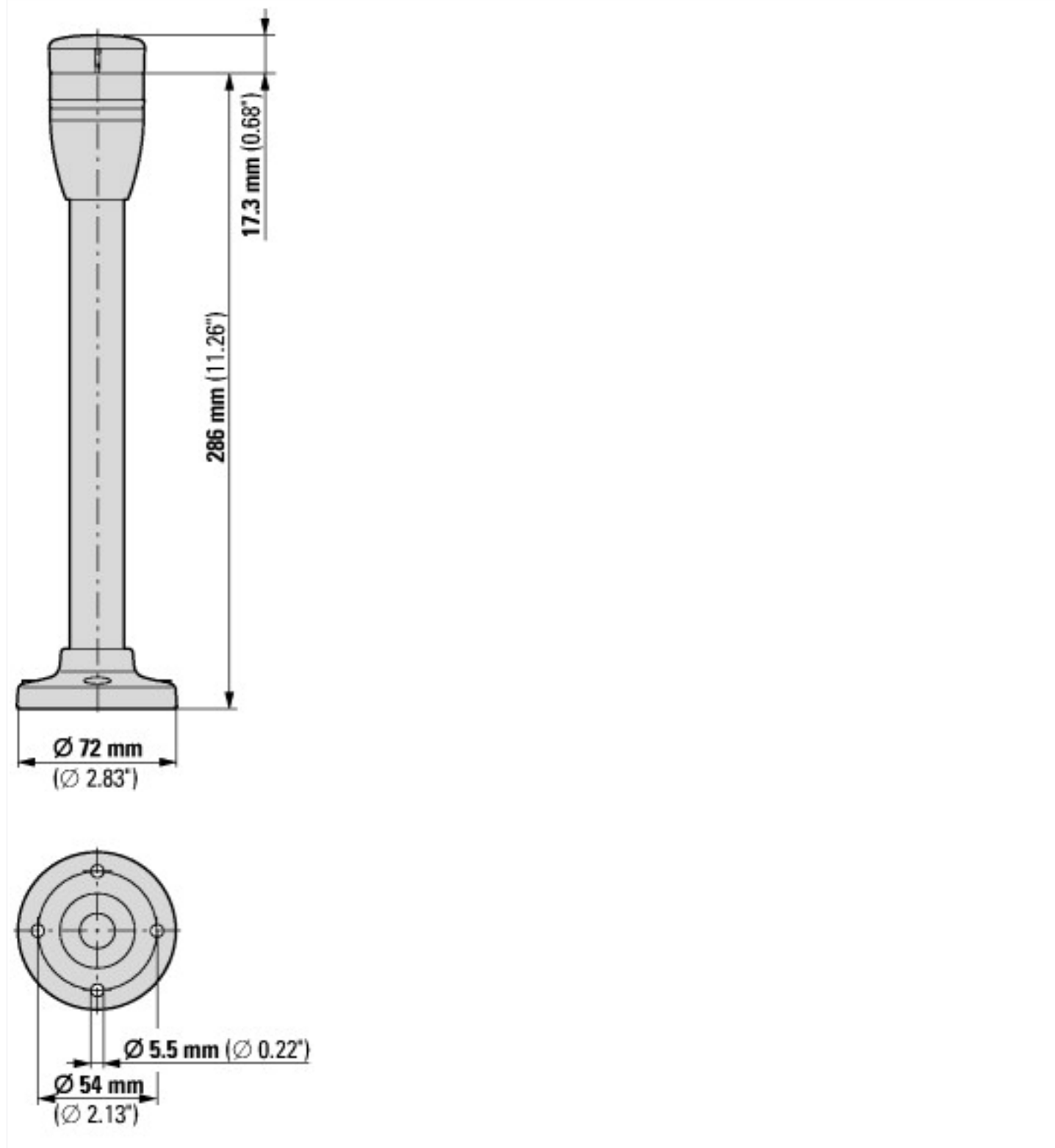
Electric engineering, automation, process control engineering / Low-voltage switch technology / Command and alarm device / Signal column element, connection module  
(ecI@ss10.0.1-27-37-12-32 [AKF050014])

|                                   |  |  |                         |
|-----------------------------------|--|--|-------------------------|
| Connection type auxiliary circuit |  |  | Spring clamp connection |
| Tube mounting possible            |  |  | No                      |
| Bracket mounting possible         |  |  | Yes                     |
| Floor mounting possible           |  |  | Yes                     |
| Colour                            |  |  | Other                   |
| Suitable for AS interface         |  |  | No                      |

## Approvals

|                             |  |  |  |
|-----------------------------|--|--|--|
| Product Standards           |  |  | IEC/EN 60947-5-1; UL 508; CSA-C22.2 No. 14-10; CSA-C22.2 No. 94-91; CE marking |
| UL File No.                 |  |  | E29184   |
| UL Category Control No.     |  |  | NKCR   |
| CSA File No.                |  |  | UL report applies to both US and Canada  |
| CSA Class No.               |  |  | NKCR7  |
| North America Certification |  |  | UL listed, certified by UL for use in Canada                                   |
| Degree of Protection        |  |  | UL Type 4, 4X, 13  |

## Dimensions



## Assets (links)

### Declaration of CE Conformity

00002899

### Instruction Leaflets

IL047001ZU2018\_05

## Additional product information (links)

### IL047001ZU Signal Towers SL4: Main instruction

IL047001ZU Signal Towers SL4: Main instruction

[ftp://ftp.moeller.net/DOCUMENTATION/AWA\\_INSTRUCTIONS/IL047001ZU2018\\_05.pdf](ftp://ftp.moeller.net/DOCUMENTATION/AWA_INSTRUCTIONS/IL047001ZU2018_05.pdf)

### IL047002ZU Signal Towers SL4: Drill pattern

IL047002ZU Signal Towers SL4: Drill pattern

[ftp://ftp.moeller.net/DOCUMENTATION/AWA\\_INSTRUCTIONS/IL047002ZU2018\\_05.pdf](ftp://ftp.moeller.net/DOCUMENTATION/AWA_INSTRUCTIONS/IL047002ZU2018_05.pdf)

