

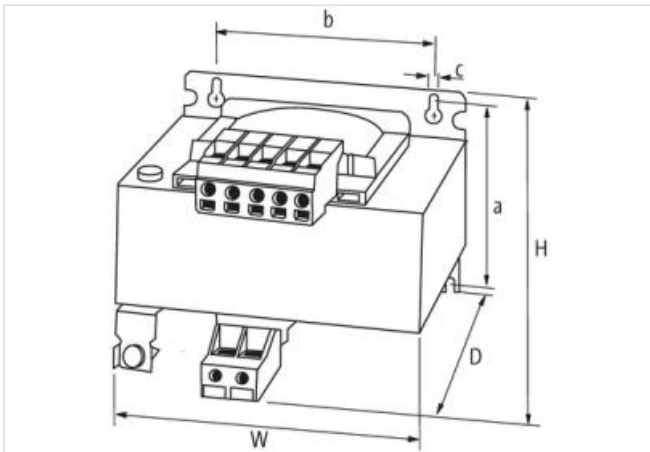
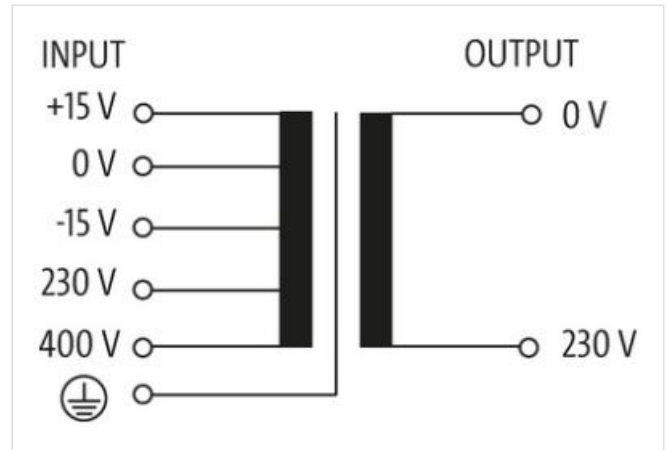
MTS 1-PHASE CONTROL AND ISOLATION TRANSFORMER

P: 100VA IN: 230/400VAC +/- 15VAC OUT: 230VAC

Single-phase - Control and Isolation Transformers
 100 VA
 Isolation class T 40/B
 Other voltages on request.

[Link to Product](#)

Illustration



Product may differ from Image



General data

Standards	EN 61558-1, EN 61558-2-4, EN 62041 category 0
Mounting method	Long-hole mounting or DIN-rail mountable TH35 (EN 60715)
Temperature range	-20...+40 °C (storage temperature -40...+80 °C)
Test isolation voltage	4 kV (prim./sec.)
Drill hole Ø	4.8x8.4 mm
Fixing centers a x b x c	64.5x64x4.8 mm

The information in this brochure has been compiled with the utmost care.
 Liability for the correctness completeness and topicality of the information is restricted to gross negligence. Version: 2023-02-09

Murrelektronik GmbH | Falkenstr. 3 | 71570 Oppenweiler | Fon +49 (71 91) 47-0 | Fax +49 (71 91) 47-491000 | shop@murrelektronik.com | shop.murrelektronik.com

Dimensions H×W×D 86×84×98 mm

Output

Output voltage 230 V AC

Output rating 100 VA

Input

Input voltage 230/400 ±15 V AC

Inrush current 3.53 A (230 V AC); 2 A (400 V AC)

Short-circuit current 4.86 A (230 V AC); 2.8 A (400 V AC)

Input current 0.51 A (230 V AC); 0.29 A (400 V AC)

Frequency 50...60 Hz

Product article number of manufacturer 86368