

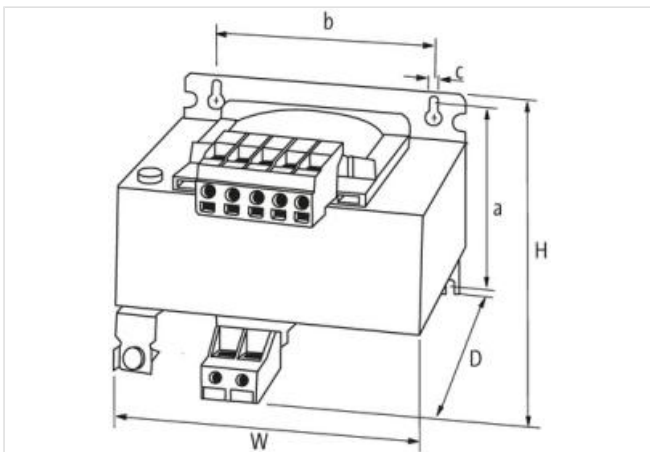
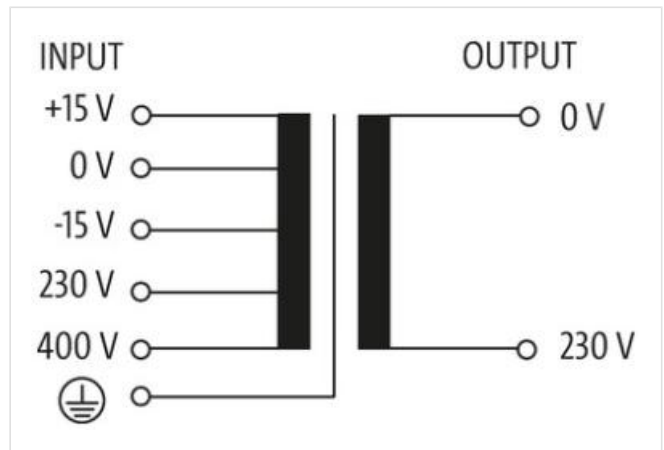
MTS 1-PHASE CONTROL AND ISOLATION TRANSFORMER

P: 63VA IN: 230/400VAC +/- 15VAC OUT: 230VAC

Single-phase - Control and Isolation Transformers
 63 VA
 Isolation class T 40/B
 Other voltages on request.

[Link to Product](#)

Illustration



Product may differ from Image



General data

Standards	EN 61558-1, EN 61558-2-4, EN 62041 category 0
Mounting method	Long-hole mounting or DIN-rail mountable TH35 (EN 60715)
Temperature range	-20...+40 °C (storage temperature -40...+80 °C)
Test isolation voltage	4 kV (prim./sec.)
Drill hole Ø	4.8x8.4 mm
Fixing centers a×b×c	56×56×4.8 mm

Dimensions H×W×D 79×78×93 mm

Output

Output voltage 230 V AC

Output rating 63 VA

Input

Input voltage 230/400 ±15 V AC

Inrush current 2 A (230 V AC); 1.15 A (400 V AC)

Short-circuit current 2.64 A (230 V AC); 1.52 A (400 V AC)

Input current 0.32 A (230 V AC); 0.18 A (400 V AC)

Frequency 50...60 Hz

Product article number of manufacturer 86367