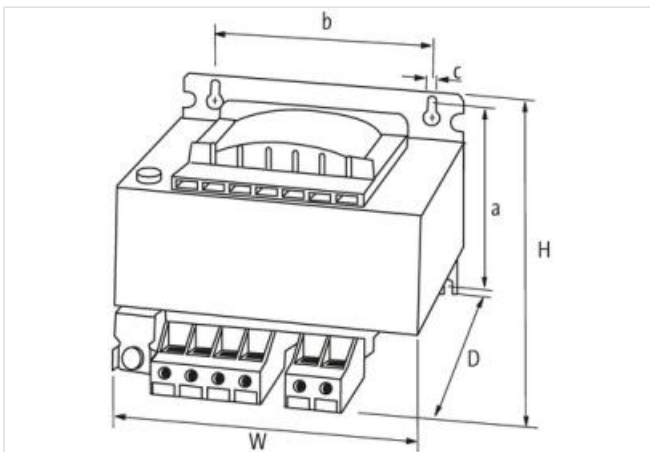
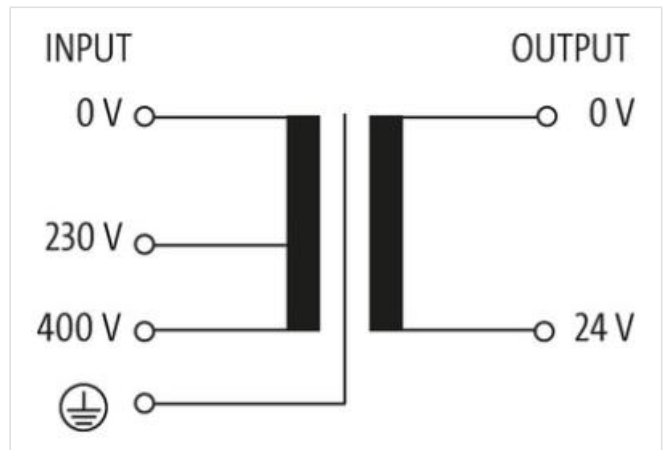


**MST 1-PHASE SAFETY TRANSFORMER**

P: 400VA IN: 230/400VAC OUT: 24VAC

Single-phase safety transformer  
 400 VA  
 Isolation class T 40/B  
 Other voltages on request.

[Link to Product](#)**Illustration**

Product may differ from Image

**General data**

Standards	EN 61558-1, EN 61558-2-6, EN 62041 category 0
Mounting method	Key-hole mounting
Temperature range	-20...+40 °C (storage temperature -40...+80 °C)
Test isolation voltage	4 kV (prim./sec.)
Drill hole Ø	5.8x10 mm
Fixing centers a <b>x</b> b <b>x</b> c	86.5x90x5.8 mm

The information in this brochure has been compiled with the utmost care.

Liability for the correctness completeness and topicality of the information is restricted to gross negligence. Version: 2023-02-09

Murrelektronik GmbH | Falkenstr. 3 | 71570 Oppenweiler | Fon +49 (71 91) 47-0 | Fax +49 (71 91) 47-491000 | shop@murrelektronik.com | shop.murrelektronik.com

Dimensions H×W×D 104×120×123 mm

**Output**

Output voltage 24 V AC (SELV)

Output rating 400 VA

**Input**

Input voltage 230/400 V AC

Inrush current 52.3 A (230 V AC); 30.2 A (400 V AC)

Short-circuit current 43 A (230 V AC); 24.9 A (400 V AC)

Input current 1.95 A (230 V AC); 1.1 A (400 V AC)

Frequency 50...60 Hz

Product article number of manufacturer 86327