

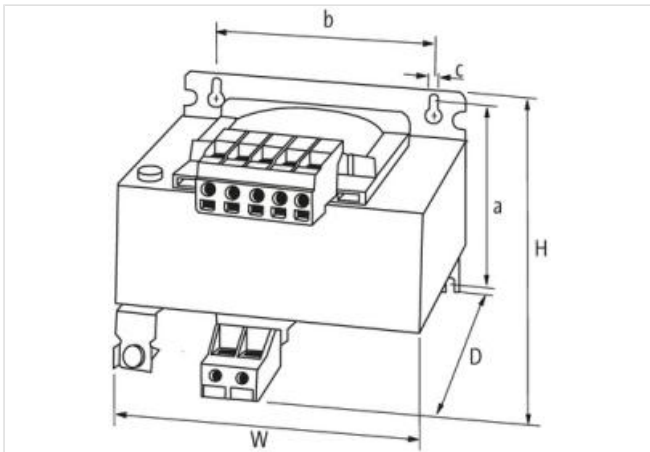
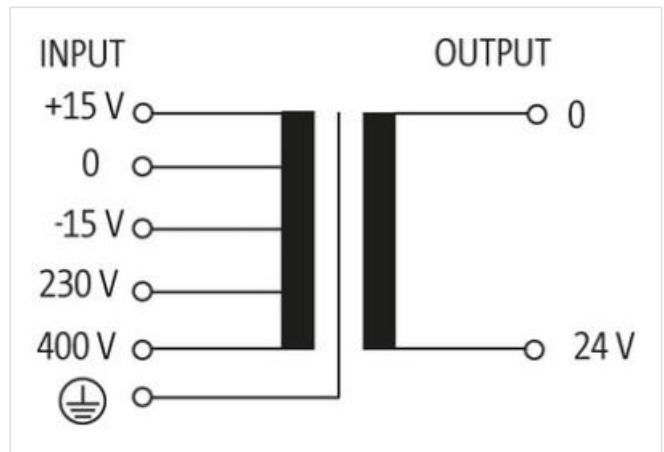
MTS 1-PHASE SAFETY TRANSFORMER

P: 250VA IN: 230/400VAC +/- 15VAC OUT: 24VAC

Single-phase safety transformer
250 VA
Isolation class T 40/B
Other voltages on request.

Link to Product

Illustration



Product may differ from Image



General data

Standards	EN 61558-1, EN 61558-2-6, EN 62041 category 0
Mounting method	Long-hole mounting or DIN-rail mountable TH35 (EN 60715)
Temperature range	-20...+40 °C (storage temperature -40...+80 °C)
Test isolation voltage	4 kV (prim./sec.)
Drill hole Ø	4.8x8.4 mm
Fixing centers a x b x c	86.5x84x4.8 mm

The information in this brochure has been compiled with the utmost care.

Liability for the correctness completeness and topicality of the information is restricted to gross negligence. Version: 2023-02-09

Murrelektronik GmbH | Falkenstr. 3 | 71570 Oppenweiler | Fon +49 (71 91) 47-0 | Fax +49 (71 91) 47-491000 | shop@murrelektronik.com | shop.murrelektronik.com

Dimensions H×W×D 102×96×108 mm

Output

Output voltage 24 V AC (SELV)

Output rating 250 VA

Input

Input voltage 230/400 ±15 V AC

Inrush current 11.2 A (230 V AC); 6.45 A (400 V AC)

Short-circuit current 18.7 A (230 V AC); 10.7 A (400 V AC)

Input current 1.35 A (230 V AC); 0.78 A (400 V AC)

Frequency 50...60 Hz

Product article number of manufacturer 86365