

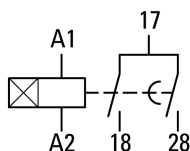


Timing relay, star-delta, 50 ms, 1W, 3-60s, 24-240VAC/DC

Part no. ETR4-51-A
Catalog No. 031884
Alternate Catalog No. XTTR6A60S51B
EL-Nummer (Norway) 0004133308

Delivery program

Product range				ETR4 timing relays
Basic function				Timer relays
Function				Star-delta switching Changeover contact with a changeover time of 50 ms Fixed timing function
Number of changeover contacts				1
Time range				3 - 60 s
Time range				3 - 60 s
Rated operational current				
AC-14				
300 V	I_e	A		3
380 V 400 V 415 V	I_e	A		3
				Value applies starting with release 001.
AC-15				
220 V 230 V 240 V	I_e	A		3
300 V	I_e	A		3
380 V 400 V 415 V	I_e	A		3
				Value applies starting with release 001.
Voltage range	U_{LN}	V		24 - 240 V AC, 50/60 Hz 24 - 240 V DC
Width		mm		22.5



Terminal marking according to EN 50042

Technical data

General

Standards				Standard IEC/EN 61812 VDE 0435
Lifespan, mechanical				
AC operated	Operations	$\times 10^6$		30
DC operated	Operations	$\times 10^6$		30
Climatic proofing				Damp heat, constant, to IEC 60068-2-78 Damp heat, cyclic, to IEC 60068-2-30
Ambient temperature				
Ambient temperature, storage		°C		- 45 - + 85
Open		°C		-25 - +60
Enclosed		°C		- 25 - + 45
Mounting position				As required
Mechanical shock resistance (IEC/EN 60068-2-27)				
Half-sinusoidal shock, 20 ms		g		
Make contact		g		4
Degree of protection				
Terminals				IP20

Weight		kg	0.1
Terminal capacities		mm ²	
Solid		mm ²	1 x (0.5 - 2.5) 2 x (0.5 - 1.5)
Flexible with ferrule		mm ²	1 x (0.5 - 2.5) 2 x (0.5 - 1.5)
Solid or stranded		AWG	1 x (20 - 14)

Contacts

Rated impulse withstand voltage	U_{imp}	V AC	4000
Rated impulse withstand voltage	U_{imp}	V AC	6000
			Value applies starting with release 001.
Overvoltage category/pollution degree			III/2
Rated insulation voltage	U_i	V AC	400
Rated insulation voltage	U_i	V AC	600
			Value applies starting with release 001.
Rated operational voltage	U_e	V AC	300
Rated operational voltage	U_e	V AC	440
			Value applies starting with release 001.
Safe isolation to EN 61140			
between coil and auxiliary contacts		V AC	250
between the auxiliary contacts		V AC	250
Making capacity			
AC-14 $\cos \varphi = 0.3$ 400 V		A	48
AC-15 $\cos \varphi = 0.3$ 220 V		A	50
DC-11 L/R - 40 ms		$\times I_e$	1.1
Breaking capacity			
AC-14 $\cos \varphi = 0.3$ 440 V		A	3
AC-15 $\cos \varphi = 0.3$ 220 V		A	3
DC-11 L/R - 40 ms		$\times I_e$	1.1
Rated operational current	I_e	A	
AC-14	I_e		
380 V 400 V 415 V	I_e	A	3
			Value applies starting with release 001.
AC--14			
440 V	I_e	A	3
AC-15			
220 V 230 V 240 V	I_e	A	3
DC-11			
Note			Making and breaking conditions to DC13, time constant as stated
L/R max. 15 ms		A	
24 V	I_e	A	1.5
L/R max. 50 ms		A	1.2
Conv. thermal current	I_{th}	A	6
Short-circuit rating without welding			
Note			When supplied directly from mains or transformer > 1000 VA
Max. fuse, make contacts		A gG/gL	6
Max. fuse, break contacts		A gG/gL	6
Max. overcurrent protective device, 220/230 V		Type	FAZ-B4/1-HI

Magnet systems

Power consumption			
Pick-up AC		VA	2
Sealing AC		VA	2
Pick-up DC		W	1.8
Sealing DC		W	1.8
Duty factor		% DF	100

Maximum operating frequency		Ops/h	4000
Minimum command time			
AC		ms	50
DC		ms	30
Repetition accuracy (deviation)		%	≤ 0.5
Recovery time (after 100% time delay)		ms	70
Contact changeover time	t_u	ms	50

Electromagnetic compatibility (EMC)

Electrostatic discharge (ESD)			
applied standard			IEC/EN 61000-4-2
Air discharge		kV	8
Contact discharge		kV	6
Electromagnetic fields (RFI)			
applied standard			IEC/EN 61000-4-3
		V/m	80 - 1000 MHz: 10 1.4 - 2 GHz: 3 2.0 - 2.7 GHz: 1
Radio interference suppression			EN 55011, Class B (conducted) EN 55011, Class B (radiated)
Burst		kV	Supply cables: 2 Signal cables: 1 according to IEC/EN 61000-4-4
power pulses (Surge)			2 kV (symmetrical) 4 kV (asymmetrical) according to IEC/EN 61000-4-5
Immunity to line-conducted interference to (IEC/EN 61000-4-6)		V	10

Design verification as per IEC/EN 61439

Technical data for design verification			
Rated operational current for specified heat dissipation	I_n	A	6
Heat dissipation per pole, current-dependent	P_{vid}	W	1.4
Equipment heat dissipation, current-dependent	P_{vid}	W	0
Static heat dissipation, non-current-dependent	P_{vs}	W	1.8
Heat dissipation capacity	P_{diss}	W	0
Operating ambient temperature min.		°C	-25
Operating ambient temperature max.		°C	60
IEC/EN 61439 design verification			
10.2 Strength of materials and parts			
10.2.2 Corrosion resistance			Meets the product standard's requirements.
10.2.3.1 Verification of thermal stability of enclosures			Meets the product standard's requirements.
10.2.3.2 Verification of resistance of insulating materials to normal heat			Meets the product standard's requirements.
10.2.3.3 Verification of resistance of insulating materials to abnormal heat and fire due to internal electric effects			Meets the product standard's requirements.
10.2.4 Resistance to ultra-violet (UV) radiation			Meets the product standard's requirements.
10.2.5 Lifting			Does not apply, since the entire switchgear needs to be evaluated.
10.2.6 Mechanical impact			Does not apply, since the entire switchgear needs to be evaluated.
10.2.7 Inscriptions			Meets the product standard's requirements.
10.3 Degree of protection of ASSEMBLIES			Does not apply, since the entire switchgear needs to be evaluated.
10.4 Clearances and creepage distances			Meets the product standard's requirements.
10.5 Protection against electric shock			Does not apply, since the entire switchgear needs to be evaluated.
10.6 Incorporation of switching devices and components			Does not apply, since the entire switchgear needs to be evaluated.
10.7 Internal electrical circuits and connections			Is the panel builder's responsibility.
10.8 Connections for external conductors			Is the panel builder's responsibility.
10.9 Insulation properties			
10.9.2 Power-frequency electric strength			Is the panel builder's responsibility.
10.9.3 Impulse withstand voltage			Is the panel builder's responsibility.
10.9.4 Testing of enclosures made of insulating material			Is the panel builder's responsibility.
10.10 Temperature rise			The panel builder is responsible for the temperature rise calculation. Eaton will provide heat dissipation data for the devices.

10.11 Short-circuit rating		Is the panel builder's responsibility. The specifications for the switchgear must be observed.
10.12 Electromagnetic compatibility		Is the panel builder's responsibility. The specifications for the switchgear must be observed.
10.13 Mechanical function		The device meets the requirements, provided the information in the instruction leaflet (IL) is observed.

Technical data ETIM 7.0

Relays (EG000019) / Timer relay (EC001439)

Electric engineering, automation, process control engineering / Low-voltage switch technology / Relay and socket / Timed relay (ec@ss10.0.1-27-37-16-05 [AKF092013])

Type of electric connection			Screw connection
Function delay-on energization			No
Function delay on de-energization			No
Function floating contact on energization			No
Function floating contact on de-energization			No
Function star-delta			Yes
Function pulse shaping			No
Function flashing, starting with pause, fixed time			No
Function flashing, starting with pulse, fixed time			No
Clock function, starting with pause, variable			No
Clock function, starting with pulse, variable			No
With plug-in socket			No
Remote operation possible			No
Suitable for remote control			No
Pluggable on auxiliary contact block			No
Rated control supply voltage Us at AC 50HZ		V	24 - 240
Rated control supply voltage Us at AC 60HZ		V	24 - 240
Rated control supply voltage Us at DC		V	24 - 240
Voltage type for actuating			AC/DC
Nominal current		A	3
Time range		s	3 - 60
Number of outputs, undelayed, normally closed contact			0
Number of outputs, undelayed, normally open contact			1
Number of outputs, undelayed, change-over contact			0
Number of outputs, delayed, normally closed contact			0
Number of outputs, delayed, normally open contact			1
Number of outputs, delayed, change-over contact			0
Outputs, reversible delayed/undelayed			No
With semiconductor output			No
Suitable for DIN rail (top hat rail) mounting			Yes
Suitable for front mounting			No
Width		mm	23
Height		mm	83
Depth		mm	103

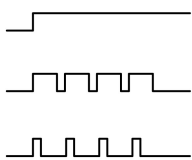
Approvals

Product Standards			IEC/EN 61812-1; IEC/EN 60947-5-1; UL 508; CSA-22.2 No. 14; CE marking
UL File No.			E29184
UL Category Control No.			NKCR
CSA File No.			12528
CSA Class No.			3211-03
North America Certification			UL listed, CSA certified
Degree of Protection			IEC: IP20, UL/CSA Type: -

Characteristics

Flow diagram for timing functions

LED legend



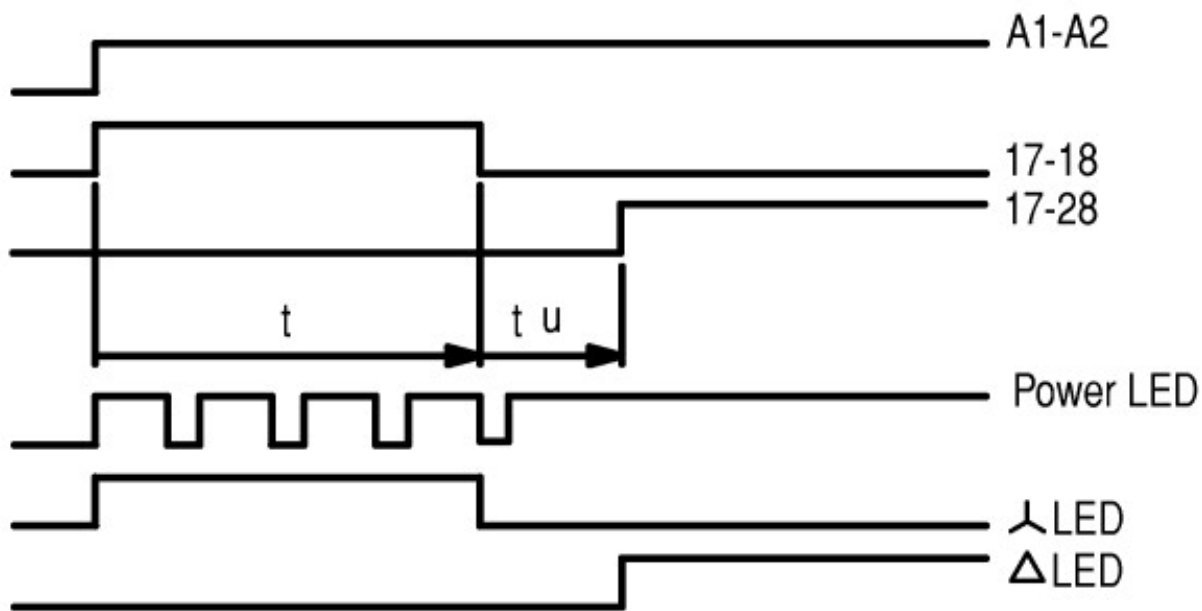
- ① A2/A1 linked
- ② A2/A1 not linked

Time not running, contact 15 – 18 closed

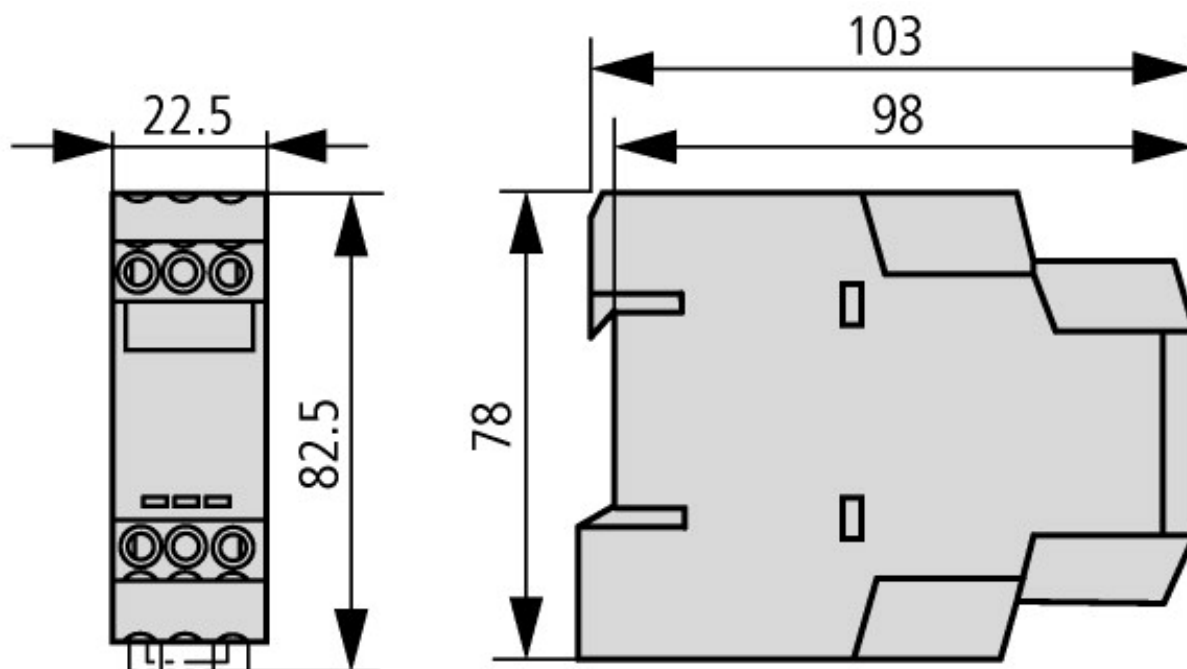
Time running, contact 15 – 18 closed

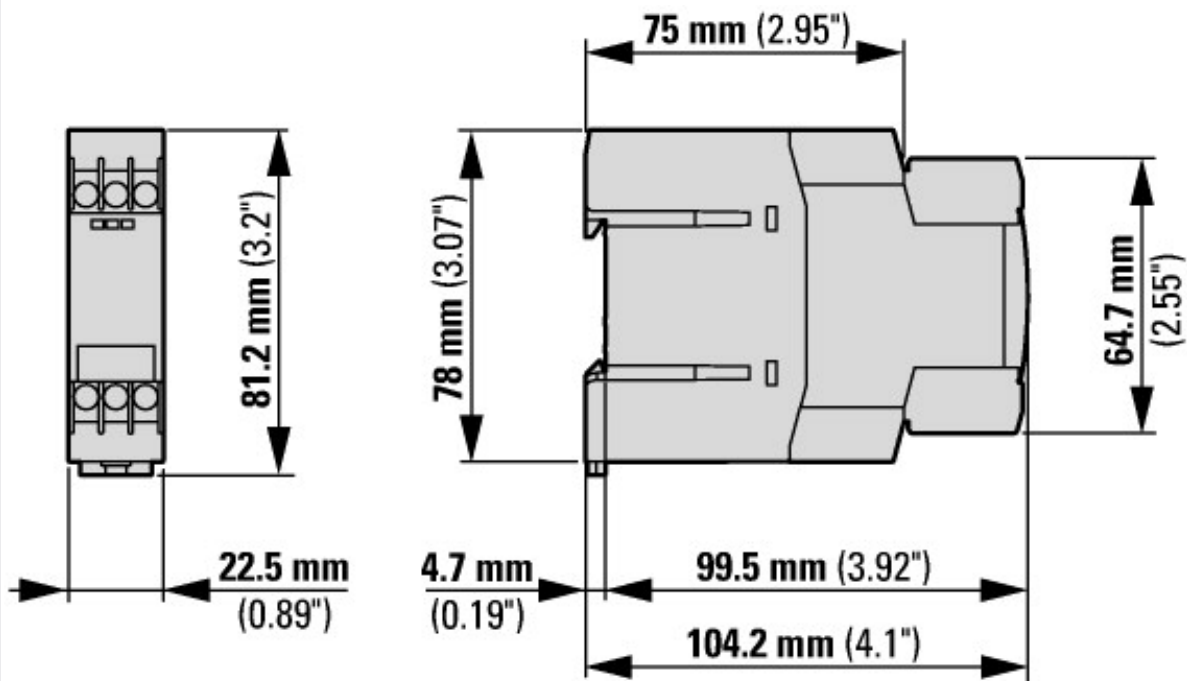
Time running, contact 15 – 18 not closed

51 Star-delta



Dimensions





Applies to release 001 and higher

Assets (links)

Declaration of CE Conformity

00002787

Instruction Leaflets

IL04910001Z2018_05

Additional product information (links)

IL04910001Z (AWA2527-1485) Timing relay, star-delta relay, multifunction relay

IL04910001Z (AWA2527-1485) Timing relay, star- delta relay, multifunction relay ftp://ftp.moeller.net/DOCUMENTATION/AWA_INSTRUCTIONS/IL04910001Z2019_08.pdf