

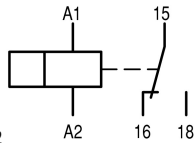


**Timing relay, 1W, 0.05s-100h, multi-function, 24-240VAC 50/60Hz, 24-48VDC**

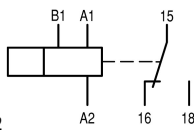
**Part no.** ETR2-69  
**Catalog No.** 262689  
**Alternate Catalog No.** ETR2-69  
**No.**  
**EL-Nummer (Norway)** 0004134200

**Delivery program**

Product range				ETR2 timing relays
Basic function				Timer relays
Function				Multi-functional On-delayed Off-delayed Fleeting contact on energization Fleeting contact on de-energization Flashing, pulse initiating Flashing, pause initiating Pulse forming
				Adjustable timing functions
Number of changeover contacts				1
Time range				0.05 s - 100 h
Time range				0.05 - 1 s 1.5 - 30 s 5 - 100 s 1.5 - 30 min 5 - 100 min 0.5 - 10 h 5 - 100 h
<b>Rated operational current</b>				
AC-15				
220 V 230 V 240 V	$I_e$	A		4
230 V (N/O)	$I_e$	A		3
230 V (NC)	$I_e$	A		3
Voltage range	$U_{LN}$	V		24 - 240 V AC, 50/60 Hz 24 - 48 V DC
Width			mm	17.5



Terminal marking according to EN 50042



Terminal marking according to EN 50042

**Technical data**

**Technical data in sheet catalogue**

Other technical data (sheet catalogue)				Timing relays
--	--	--	--	---------------

**Design verification as per IEC/EN 61439**

Technical data for design verification			
Heat dissipation capacity	$P_{diss}$	W	0
Operating ambient temperature min.		°C	-25
Operating ambient temperature max.		°C	60
IEC/EN 61439 design verification			
10.2 Strength of materials and parts			

10.2.2 Corrosion resistance		Meets the product standard's requirements.
10.2.3.1 Verification of thermal stability of enclosures		Meets the product standard's requirements.
10.2.3.2 Verification of resistance of insulating materials to normal heat		Meets the product standard's requirements.
10.2.3.3 Verification of resistance of insulating materials to abnormal heat and fire due to internal electric effects		Meets the product standard's requirements.
10.2.4 Resistance to ultra-violet (UV) radiation		Meets the product standard's requirements.
10.2.5 Lifting		Does not apply, since the entire switchgear needs to be evaluated.
10.2.6 Mechanical impact		Does not apply, since the entire switchgear needs to be evaluated.
10.2.7 Inscriptions		Meets the product standard's requirements.
10.3 Degree of protection of ASSEMBLIES		Does not apply, since the entire switchgear needs to be evaluated.
10.4 Clearances and creepage distances		Meets the product standard's requirements.
10.5 Protection against electric shock		Does not apply, since the entire switchgear needs to be evaluated.
10.6 Incorporation of switching devices and components		Does not apply, since the entire switchgear needs to be evaluated.
10.7 Internal electrical circuits and connections		Is the panel builder's responsibility.
10.8 Connections for external conductors		Is the panel builder's responsibility.
10.9 Insulation properties		
10.9.2 Power-frequency electric strength		Is the panel builder's responsibility.
10.9.3 Impulse withstand voltage		Is the panel builder's responsibility.
10.9.4 Testing of enclosures made of insulating material		Is the panel builder's responsibility.
10.10 Temperature rise		The panel builder is responsible for the temperature rise calculation. Eaton will provide heat dissipation data for the devices.
10.11 Short-circuit rating		Is the panel builder's responsibility. The specifications for the switchgear must be observed.
10.12 Electromagnetic compatibility		Is the panel builder's responsibility. The specifications for the switchgear must be observed.
10.13 Mechanical function		The device meets the requirements, provided the information in the instruction leaflet (IL) is observed.

## Technical data ETIM 7.0

Relays (EG000019) / Timer relay (EC001439)		
Electric engineering, automation, process control engineering / Low-voltage switch technology / Relay and socket / Timed relay (ec!@ss10.0.1-27-37-16-05 [AKF092013])		
Type of electric connection		Screw connection
Function delay-on energization		Yes
Function delay on de-energization		Yes
Function floating contact on energization		Yes
Function floating contact on de-energization		Yes
Function star-delta		No
Function pulse shaping		Yes
Function flashing, starting with pause, fixed time		Yes
Function flashing, starting with pulse, fixed time		Yes
Clock function, starting with pause, variable		No
Clock function, starting with pulse, variable		No
With plug-in socket		No
Remote operation possible		No
Suitable for remote control		No
Pluggable on auxiliary contact block		No
Rated control supply voltage $U_s$ at AC 50HZ	V	24 - 240
Rated control supply voltage $U_s$ at AC 60HZ	V	24 - 240
Rated control supply voltage $U_s$ at DC	V	24 - 240
Voltage type for actuating		AC/DC
Nominal current	A	3
Time range	s	0.05 - 360000
Number of outputs, undelayed, normally closed contact		0
Number of outputs, undelayed, normally open contact		0
Number of outputs, undelayed, change-over contact		0
Number of outputs, delayed, normally closed contact		0
Number of outputs, delayed, normally open contact		0

Number of outputs, delayed, change-over contact			1
Outputs, reversible delayed/undelayed			Yes
With semiconductor output			No
Suitable for DIN rail (top hat rail) mounting			Yes
Suitable for front mounting			No
Width		mm	18
Height		mm	70
Depth		mm	63

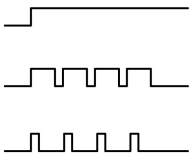
## Approvals

Product Standards			IEC/EN 61812-1; IEC/EN 60947-5-1; UL 508; CSA-22.2 No. 14; CE marking
UL File No.			E29184
UL Category Control No.			NKCR, NKCR7
CSA File No.			UL report valid
CSA Class No.			3211-03
North America Certification			UL listed, certified by UL for use in Canada
Degree of Protection			IEC: IP20, UL/CSA Type: -

## Characteristics

### Flow diagram for timing functions

#### LED legend



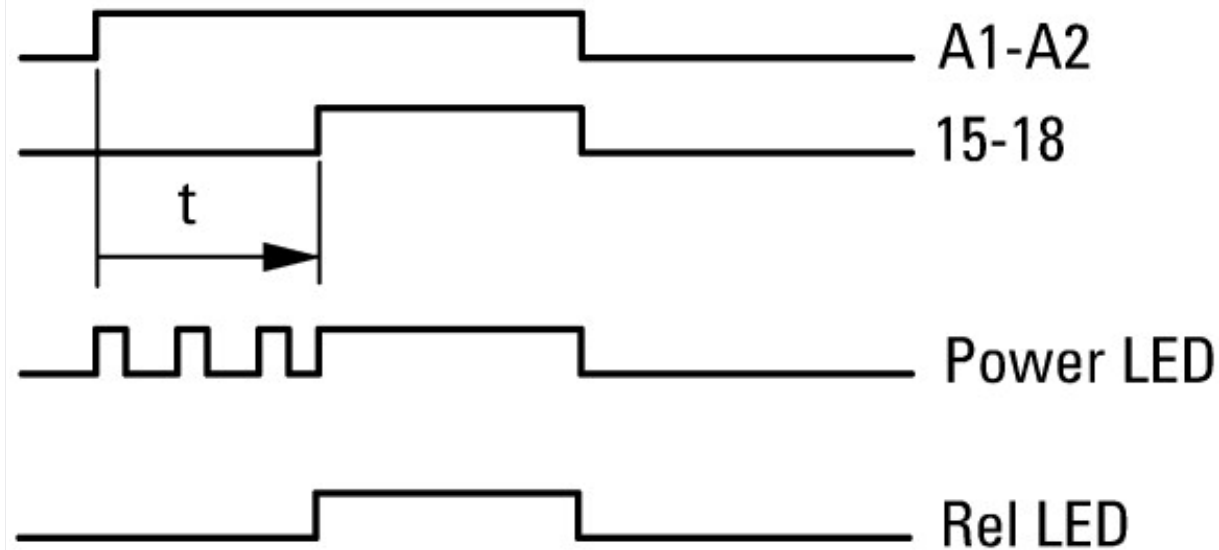
Time not running, contact 15 – 18 closed

Time running, contact 15 – 18 closed

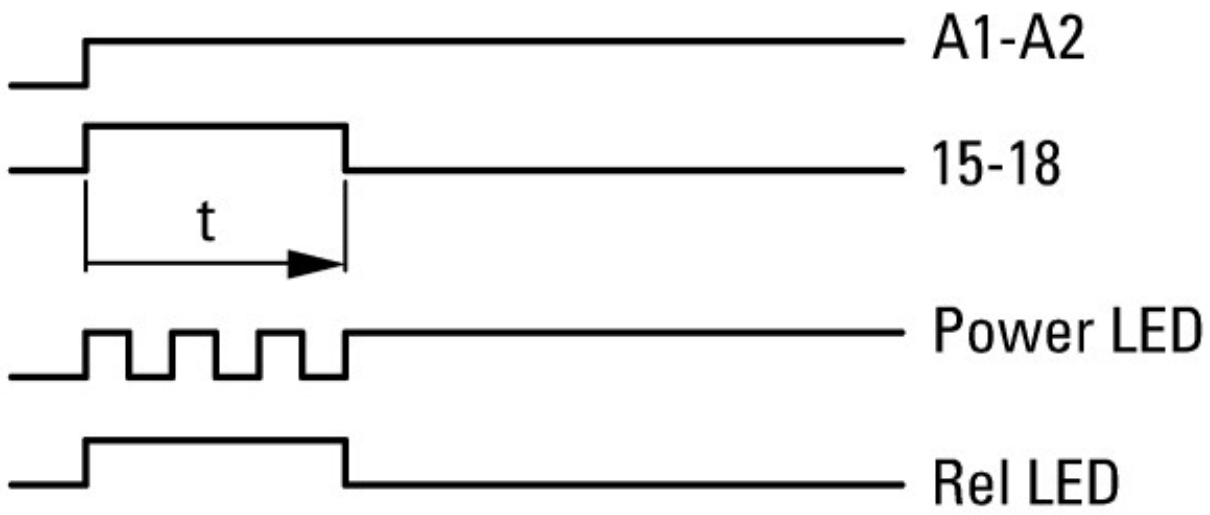
Time running, contact 15 – 18 not closed

- ① A2/A1 linked
- ② A2/A1 not linked

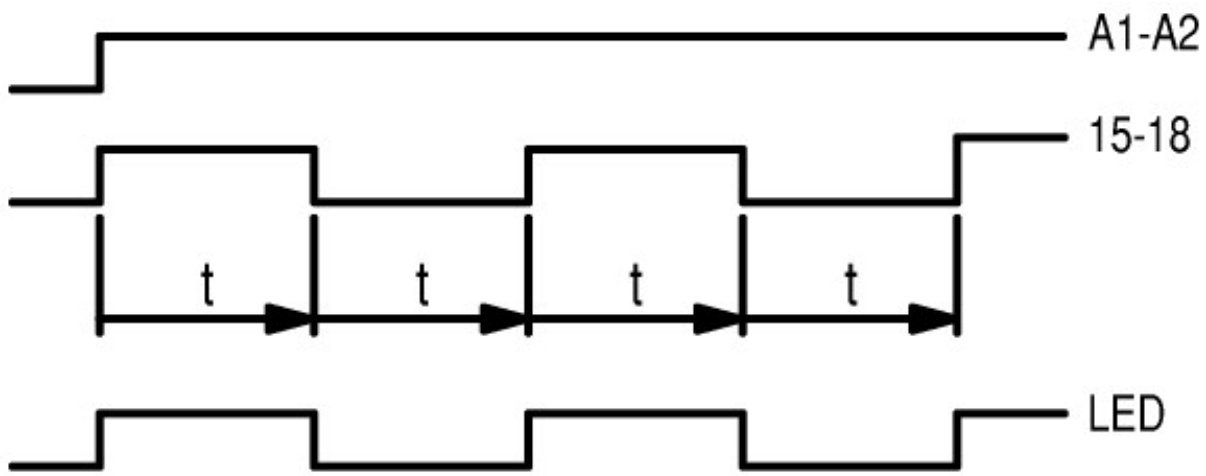
#### 11 On-delayed



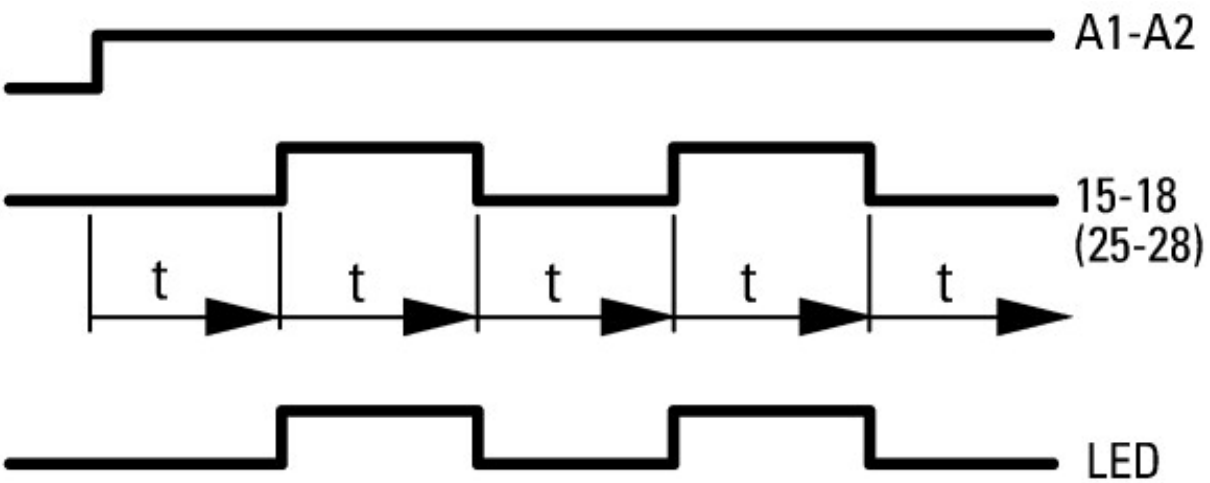
#### 21 Fleeting contact on energization



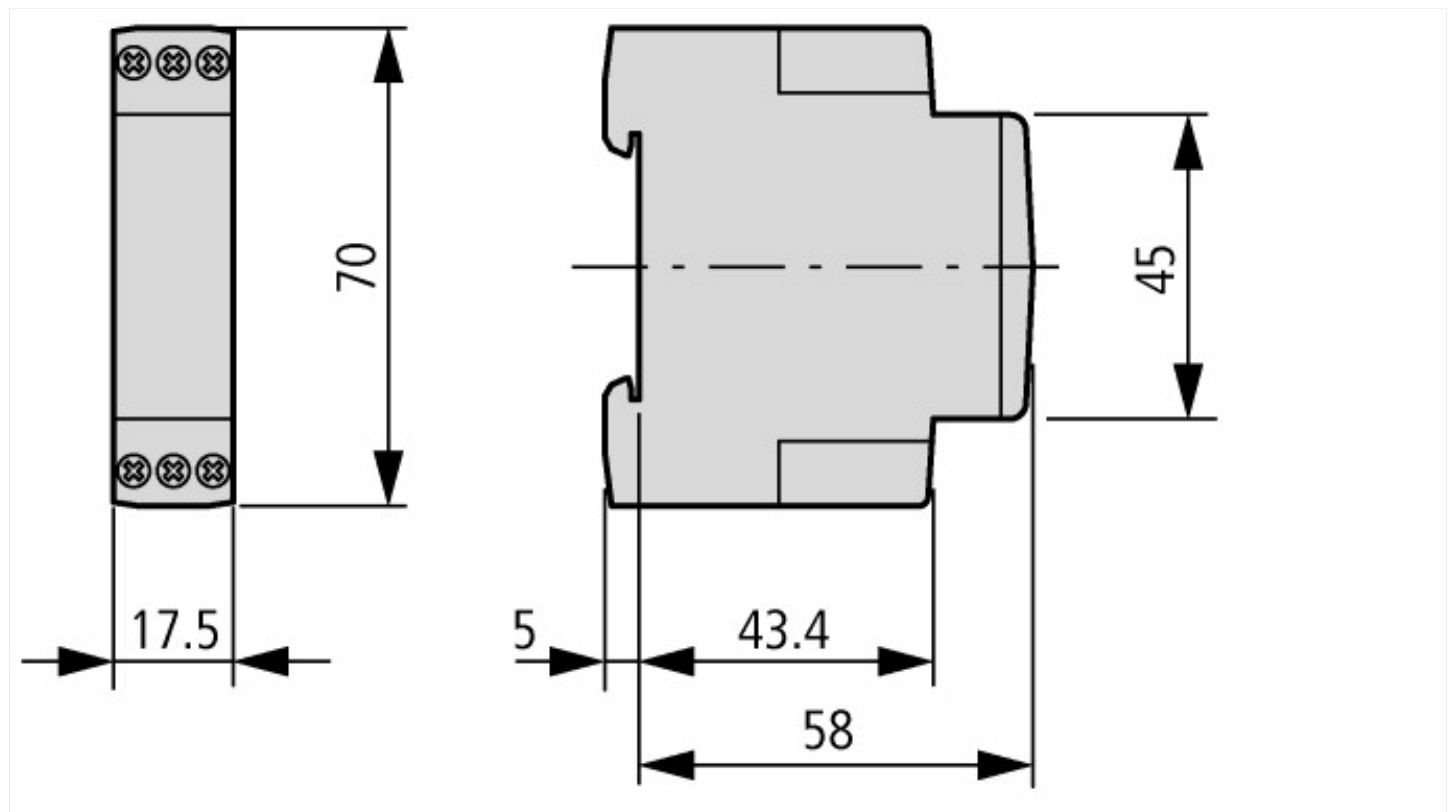
42 Flashing, pulse initiating



43 Flashing, pause initiating



## Dimensions



## Assets (links)

### Declaration of CE Conformity

00002531

### Instruction Leaflets

IL04910005Z2018\_07

## Additional product information (links)

IL04910005Z (AWA2527-2372) Solid-state timing relay	
IL04910005Z (AWA2527-2372) Solid-state timing relay	<a href="ftp://ftp.moeller.net/DOCUMENTATION/AWA_INSTRUCTIONS/IL04910005Z2018_07.pdf">ftp://ftp.moeller.net/DOCUMENTATION/AWA_INSTRUCTIONS/IL04910005Z2018_07.pdf</a>
Terminal marking	<a href="http://ecat.moeller.net/flip-cat/?edition=HPLEN&amp;startpage=11.7">http://ecat.moeller.net/flip-cat/?edition=HPLEN&amp;startpage=11.7</a>
Timing functions	<a href="http://ecat.moeller.net/flip-cat/?edition=HPLEN&amp;startpage=11.8">http://ecat.moeller.net/flip-cat/?edition=HPLEN&amp;startpage=11.8</a>
Load limit curves	<a href="http://ecat.moeller.net/flip-cat/?edition=HPLEN&amp;startpage=11.10">http://ecat.moeller.net/flip-cat/?edition=HPLEN&amp;startpage=11.10</a>
Timing relays	<a href="http://ecat.moeller.net/flip-cat/?edition=HPLEN&amp;startpage=11.13">http://ecat.moeller.net/flip-cat/?edition=HPLEN&amp;startpage=11.13</a>