



Part No.	IX2210
Product Name	Wi-Fi antenna monopole 3cm
Feature	2.4 GHz WIFI Peak Gain Max 1.8dBi RP-SMA Male Extended operation temperature range IP65 compliant RoHS compliant

Electrical

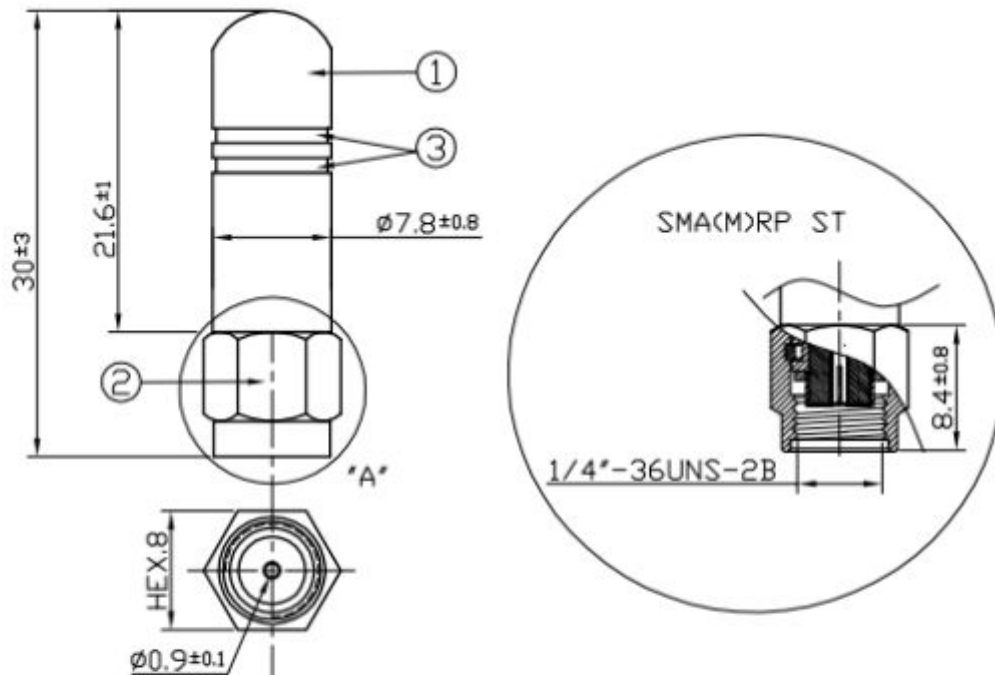
Communication system	Wi-Fi 2.4 GHz
Frequency (MHz)	2400-2500
Efficiency*	> 40%
Gain (dBi)*	Max 1.8
Impedance	50 Ω
Polarization	Vertical
Radiation Pattern	Omni-directional

*in free space

Environmental

Temperature range	-40°C to 85°C
Storage Temperature	-40°C to 85°C
Casing	Non-condensing 65°C 95% RH

Mechanical drawing (unit:mm)



	Name	Material	Finish	QTY
①	Antenna Housing	TPEE	Black	1
②	SMA(M)RP ST	Brass	Gold	1
③	Colour Stripes	Acrylic Paint	Green	1

IXON makes no warranties based on the accuracy or completeness of the contents of this document and reserves the right to make changes to specifications and product descriptions at any time without notice. IXON reserves all rights to this document and the information contained herein. Reproduction, use or disclosure to third parties without express permission is strictly prohibited. Copyright © IXON B.V.