

Part No.	IX2201
Product Name	Pentaband antenna rotatable
Recommended for	3G
Feature	<p>700 MHz to 3800 MHz</p> <p>LTE/GSM/CDMA/HSPA/UMTS</p> <p>Rotatable hinge design for optimal reception</p> <p>Top quality housing with brass hinge and connector</p> <p>Extended operation temperature range</p> <p>RoHS Compliant</p> <p>7cm long</p> <p>SMA Male</p>

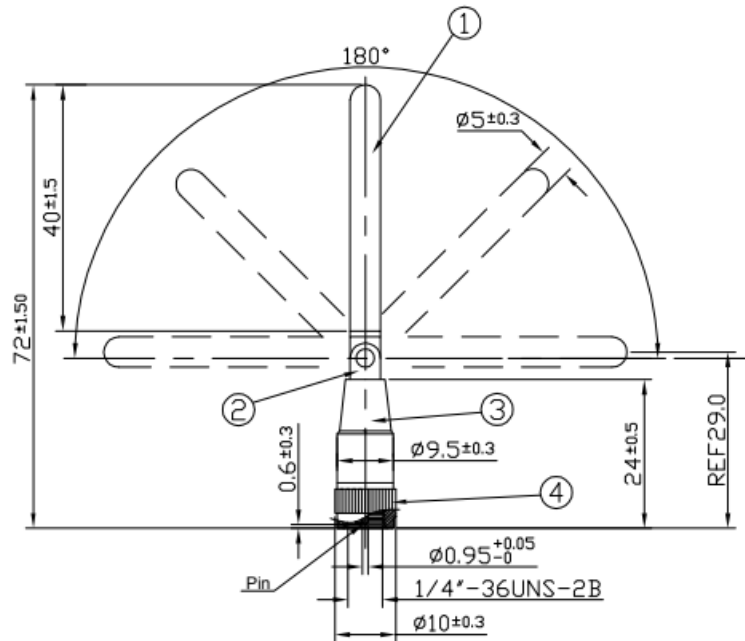
Electrical

Communication system	700 LTE	AMPS	GSM	DCS	PCS	UMTS	2300 LTE	2700 LTE	3500 LTE	3700 LTE
Frequency (MHz)	703-803	824-896	880-960	1710-1880	1850-1990	1710-2170	2300-2400	2490-2690	3400-3600	3600-3800
Efficiency*	18%	22%	22%	25%	30%	30%	17%	32%	28%	43%
Peak gain (dBi)*	-3.0	-2.6	-3.0	0.9	0.9	0.9	-1.3	1.1	1.8	3.1
Impedance	50 Ω									
Polarization	Linear									
Radiation Pattern	Omni-directional									
Input power	10 W									

*In free space

Environmental

Temperature range	-40°C to 85°C
Storage Temperature	-40°C to 105°C
Casing	Non-condensing 65°C 95% RH

Mechanical drawing (unit:mm)


1	Housing	POM Black
2	Hinge	Brass Ni Plated
3	Cap	POM Black
4	Connector	SMA Male (Brass)

IXON makes no warranties based on the accuracy or completeness of the contents of this document and reserves the right to make changes to specifications and product descriptions at any time without notice. IXON reserves all rights to this document and the information contained herein. Reproduction, use or disclosure to third parties without express permission is strictly prohibited. Copyright © IXON B.V.