

DATASHEET - EASY-E4-CONNECT1



Replacement parts pack, 3 connecting plugs between base and expansion unit/bus module as well as 3 covers, For use with easyE4



Part no. EASY-E4-CONNECT1
Catalog No. 197225

Delivery program

Description		Replacement parts pack, 3 connecting plugs between base and expansion unit/bus module as well as 3 covers
For use with		easyE4

Design verification as per IEC/EN 61439

Technical data for design verification		
Operating ambient temperature min.	°C	-25
Operating ambient temperature max.	°C	55
IEC/EN 61439 design verification		
10.2 Strength of materials and parts		
10.2.2 Corrosion resistance		Meets the product standard's requirements.

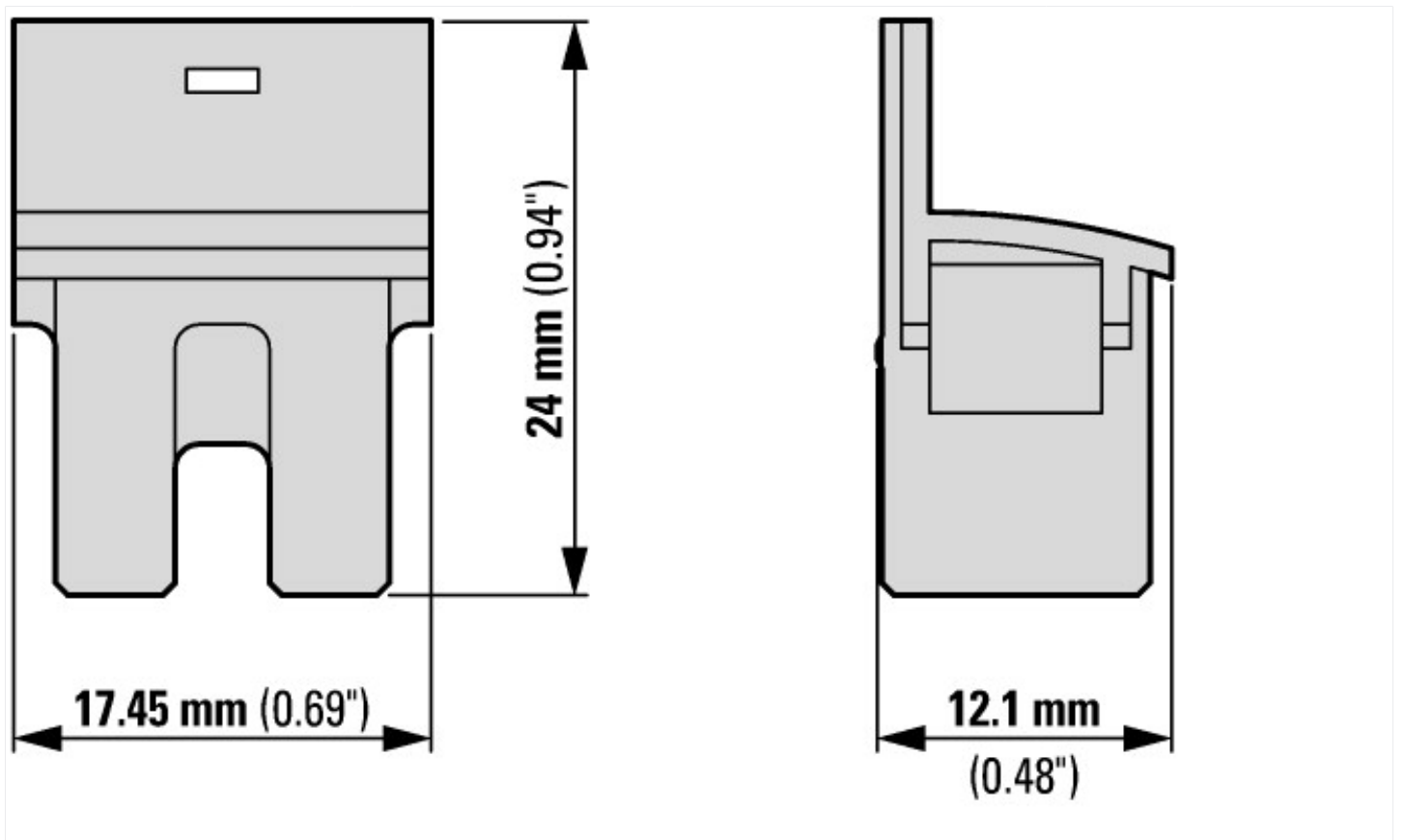
Technical data ETIM 8.0

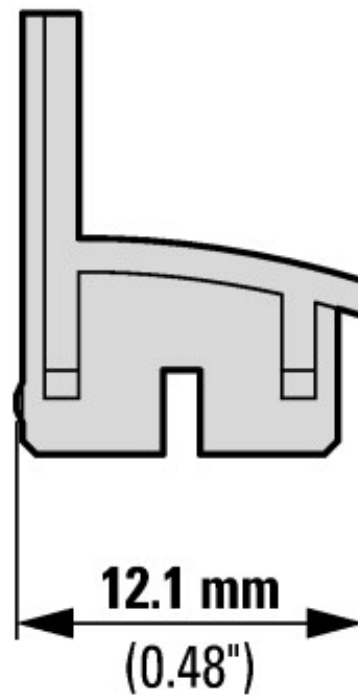
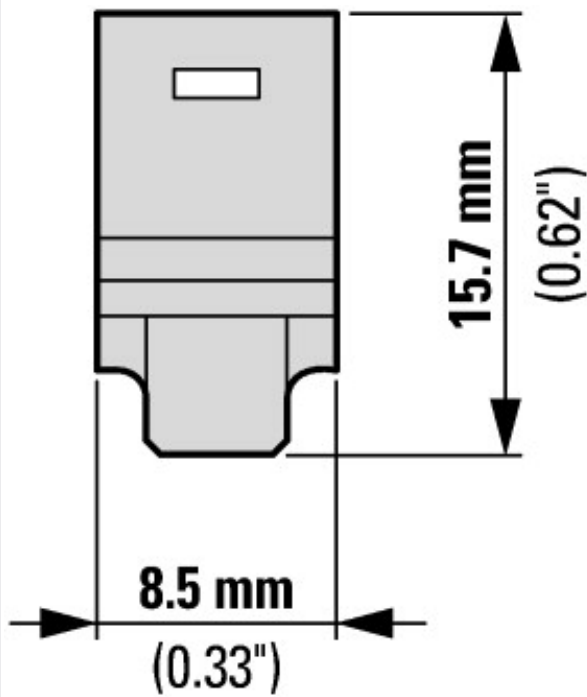
Programmable logic controllers PLC (EG000024) / Accessories/spare parts for controls (EC002584)		
Electric engineering, automation, process control engineering / Display and control component / Panel (HMI) / Panel (HMI, accessories) (ecI@ss10.0.1-27-33-02-92 [AFX005003])		
Type of electrical accessory/spare part		Plug
Type of mechanical accessory/spare part		Other
Accessory		Yes
Spare part		No

Approvals

Degree of Protection		IEC: IP20, UL/CSA Type: -
----------------------	--	---------------------------

Dimensions





Additional product information (links)

assembly instructions easyE4 IL050021ZU

assembly instructions easyE4 IL050021ZU https://es-assets.eaton.com/DOCUMENTATION/AWA_INSTRUCTIONS/IL050021ZU.pdf

easyE4 (MN050009) manual

easyE4 – Handbuch (MN050009) - Deutsch https://es-assets.eaton.com/DOCUMENTATION/AWB_MANUALS/MN050009_DE.pdf

easyE4 (MN050009) manual - English https://es-assets.eaton.com/DOCUMENTATION/AWB_MANUALS/MN050009_EN.pdf

manuel easyE4 (MN050009) - français https://es-assets.eaton.com/DOCUMENTATION/AWB_MANUALS/MN050009_FR.pdf

Manuale easy E4 (MN050009) - italiano https://es-assets.eaton.com/DOCUMENTATION/AWB_MANUALS/MN050009_IT.pdf

instrukcja easyE4 (MN050009) - polski https://es-assets.eaton.com/DOCUMENTATION/AWB_MANUALS/MN050009_PL.pdf

f1=1454&f2=1174&f3=1755;Download Software easySoft V7 <http://applications.eaton.eu/sdlc?LX=11&f1=1454&f2=1174&f3=1755;Download Software easySoft V7>

Product overview (WEB) <http://www.eaton.eu/easyE4>