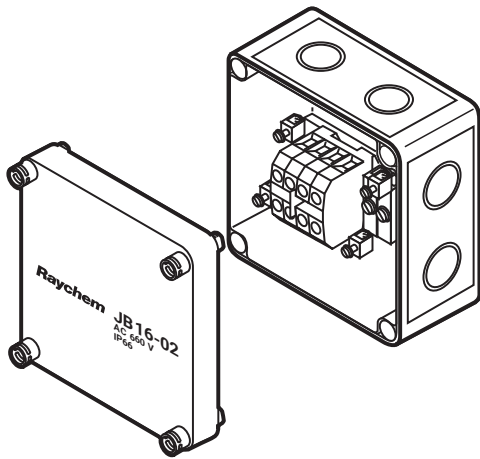


TEMPERATURE RESISTANT NON-HAZARDOUS JUNCTION BOX FOR MULTIPLE-ENTRY CABLE CONNECTIONS



The nVent RAYCHEM JB - box is a standard, temperature-resistant polycarbonate junction box.

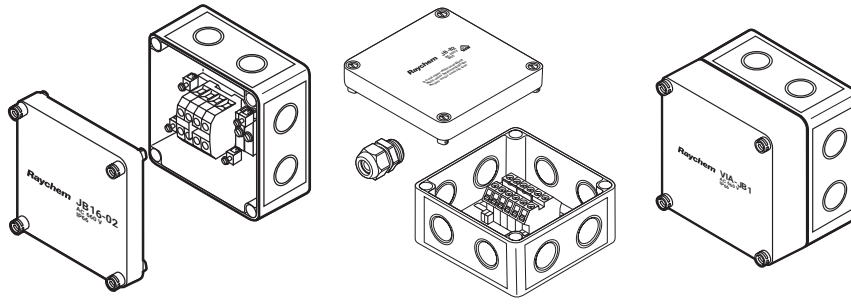
It may be used to make a power connection, splice, powered splice, powered tee or simple tee, for use with nVent RAYCHEM self-regulating heating cables.

Up to four heating cables, or three heating cables and the appropriate size power cable, can be connected through the four entries and connected to the rail mounted terminals.

For pipe mounting, it is recommended that this box is used with a RAYCHEM support bracket.

PRODUCT SPECIFICATIONS

	JB16-02	JB-82	VIA-JB2
Part no.	946607-000	535679-000	1244-001147
Dimensions	94 x 94 x 57 mm	130 x 130 x 75 mm	130 x 130 x 98 mm
Installation method	Through the holes on the corners	Through the holes on the corners	Through the holes on the corners
Mounting hole position	79 x 79 mm	115 x 115 mm	115 x 115 mm
Mounting hole dia.	5 mm	5 mm	5 mm
Protection class	IP66	IP66	IP66
Temp. range:	-35°C .. +80°C	-35°C .. +115°C	-35°C .. +115°C
Voltage rating	660 VAC	660 VAC	660 VAC
Current rating	32A	61A	76A
Max. cable cross section	4 mm ²	10 mm ²	16 mm ²
Terminal block	2 connected feed-through terminals marked L1; 2 connected feed-through terminals marked N; 2 connected feed-through terminals marked PE	2 connected feed-through terminals marked L1; 2 connected feed-through terminals marked N; 2 connected feed-through terminals marked PE	1 feed-through terminal marked L1; 1 feed-through terminal marked N; 1 feed-through terminal marked PE
Capacity	Installed terminal block allows to power up to 3 heating circuits from 1 power cable, or to connect up to 4 heating cables	Installed terminal block allows to power up to 3 heating circuits from 1 power cable, or to connect up to 4 heating cables	Installed terminal block allows to power 1 heating circuit from 1 power cable, or to connect 2 heating cables



PRODUCT SPECIFICATIONS

	JB16-02	JB-82	VIA -JB2
Possibility to install additional terminals	Yes	Yes	Yes
Knock-out holes for cable inputs	4 x M20/25	4 x M20/25	M32 knocked out + 1 x M25/32 + 6 x M20/25
Cable gland in a kit	1 x M20 for a round power cable	1 x M25 for a round power cable	M32 cable gland must be used. It is not included in a kit.
Material	Polycarbonate reinforced with glass fiber	Polycarbonate reinforced with glass fiber	Polycarbonate reinforced with glass fiber
Security seal	Through the existing pinhole in a lid	Through the existing pinhole in a lid	Through an existing pinhole in a lid
RAYCHEM Heating cables is applicable to heating cable for power connection and T-connection to	<p>With connection kit CE-20-01</p> <ul style="list-style-type: none"> • FS-C-2X • FS-C10-2X • FS-A-2X • FS-B-2X, • GM2-XT • GM-2X • FroStop Black • FroStop Green • HWAT-L; HWAT-M • CE20-03 or U-RD-ACC-CE is needed for low geometry cables 	<p>With connection kit CE-20-01</p> <ul style="list-style-type: none"> • FS-C-2X • FS-C10-2X • FS-A-2X • FS-B-2X, • GM2-XT • GM-2X • FroStop Black • FroStop Green • HWAT-L; HWAT-M • CE20-03 or U-RD-ACC-CE is needed for low geometry cables 	<p>With connection kit CE32-02</p>
	<p>With connection kit CE-25-01</p> <ul style="list-style-type: none"> • FS-C-2X • FS-C10-2X • FS-A-2X • FS-B-2X, • GM2-XTt • GM-2X • FroStop Black • FroStop Green • HWAT-L/M/R 	<p>With connection kit CE-25-01</p> <ul style="list-style-type: none"> • FS-C-2X • FS-C10-2X • FS-A-2X • FS-B-2X, • GM2-XTt • GM-2X • FroStop Black • FroStop Green • HWAT-L/M/R 	<p>With connection kit VIA-S2</p> <ul style="list-style-type: none"> • EM2-XR

United Kingdom

Tel 0800 969 013
Fax 0800 968 624
salesthermalUK@nvent.com

Ireland

Tel 1800 654 241
Fax 1800 654 240
salesIE@nvent.com

South East Asia

Tel +65 67685800
Fax: +65 67322263

Australia

Tel +61 2 97920250
Fax +61 2 97745931

India - Noida

Tel +91 120 464 9500
Fax +91 120 464 9548
NTMinfome@nvent.com

India - Mumbai

Tel +91 22 6775 8800/01
Fax +91 22 2556 1491
NTMinfome@nvent.com

UAE

Tel +971 4 378 1700
Fax +971 4 378 1777
NTMinfome@nvent.com



nVent.com

Our powerful portfolio of brands:

CADDY ERICO HOFFMAN RAYCHEM SCHROFF TRACER