

Rubber plug

SCHUKO / French/Belgian standard

1419190






General information

Item number	1419190
Model	Rubber plug
Colour	black

Electrical parameters

Amperage	16A
Voltage	250V
Poles	2P + PE

Standards/Directives

According to	DIN VDE 0620 / NF C61-314 / NBN C61-112
Standard	SCHUKO / French/Belgian standard
Certification marks	  

Operating conditions

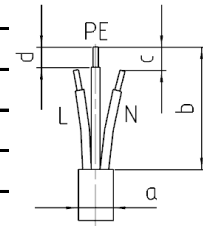
Storage temperature	-15°C to +60°C
Operating temperature	-15°C to +35°C
Relative humidity	5 to 95%, no condensation
Degree of protection	IP44

Materials

Contact Carrier	PA
Housing	TPE

Connecting cable

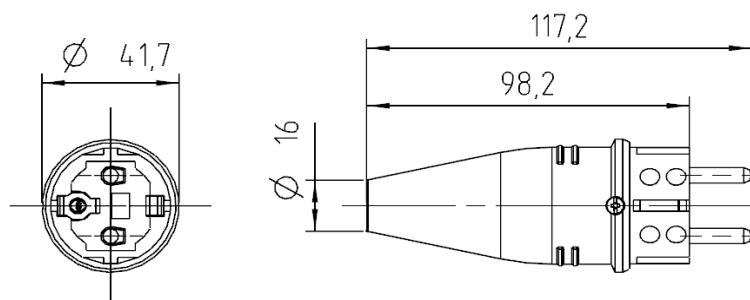
Cross section	3x0,75mm ² -3x1,5mm ²
Cable diameter, dimension a	6-12mm
Insulation strip length sheath, dimension b	42-44mm
Trim L/N, dimension c	8mm
Insulation strip length cores, dimension d	8-10mm



Connection screws

Max. torque for screws L-N/PE	0,5 Nm/0,8Nm
Screw drive L-N/PE	Combined slot/PZ1/PZ2
Max. torque for screws housing	0,5 Nm
Screw drive housing	Combined slot/PZ1
Max. torque for screws strain relief	0,5 Nm
Screw drive strain relief	Combined slot/PZ1

Subject to modifications



If the application requires extended specifications, we recommend to test the application under real or simulated conditions. Parameters like duration, quantity and temperature will effect the result significantly