

Thermoplastic outlet box installation box

2505110





General information

Item number	2505110
Model	Thermoplastic outlet box
Colour	white

Electrical parameters

Voltage	400V
Poles	5P

Standards/Directives

According to	VDE 0606
Standard	installation box
Certification marks	 

Operating conditions

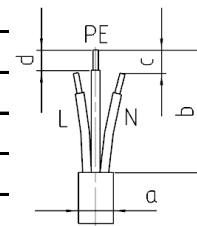
Storage temperature	-25°C to +70°C
Operating temperature	-25°C to +40°C
Relative humidity	5 to 95%, no condensation
Degree of protection	IP20

Materials

Contact Carrier	PA
Housing	PS

Connecting cable

Cross section	5x2,5mm ² -6mm ²
Cable diameter, dimension a	9,5-12,5mm
Insulation strip length sheath, dimension b	-
Trim L/N, dimension c	-
Insulation strip length cores, dimension d	8-10mm



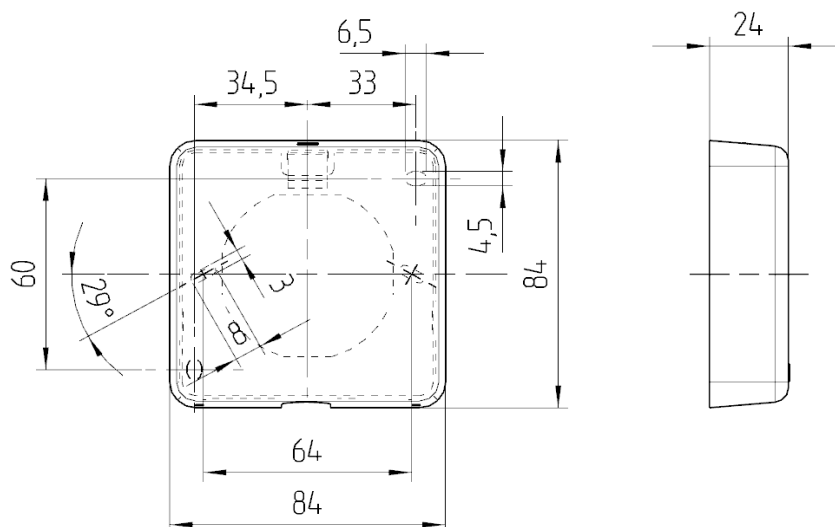
Connection screws

Max. torque for screws L-N/PE	1,2 Nm
Screw drive L-N/PE	Combined slot/PZ2
Max. torque for screws strain relief	0,5 Nm
Screw drive strain relief	Combined slot/PZ1

Additional technical information

Note	If conductor section is > 5x2,5mm ² use additional strain relief
------	---

Subject to modifications



If the application requires extended specifications, we recommend to test the application under real or simulated conditions. Parameters like duration, quantity and temperature will effect the result significantly