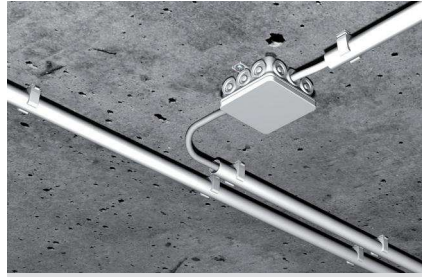


## The convenient pipe fixing



Fixing plastic insulating conduits



Fixing plastic insulating conduits

### BUILDING MATERIALS

#### When using ClipFix SD:

- Concrete
- Solid pumice block
- Solid sand-lime brick
- Natural stone with dense structure
- Solid brick

### CHARACTERISTICS



### ADVANTAGES

- The pipe clip RC can be used with pre-installed clip fixing SD, with Hammerfix N 6 or in 11 mm C-shaped profile-rails, and thus allows for a flexible and cost-effective installation.
- The 6 mm-long hole allows for the optimal alignment of the pipe fixing and ensures a more user-friendly installation.
- Two additional pipe clips can be added to the sides of a pre-fixed pipe clip. This saves assembly time and materials.
- The long-lasting nylon material is halogen- and silicone-free. It can be used all year round, including during a frost. This ensures a high level of safety.

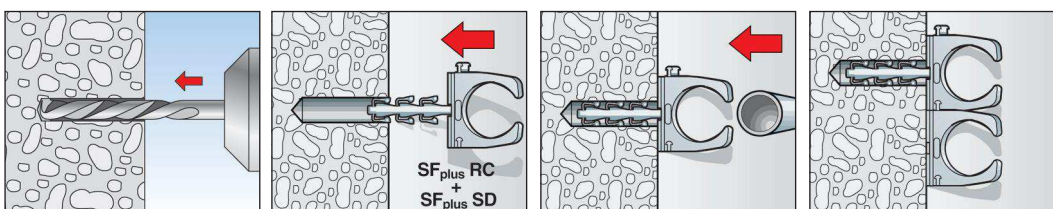
### APPLICATIONS

#### For fixing of:

- Flexible and rigid plastic insulating pipes

### FUNCTIONING

- Plastic insulation pipes are laid into the pipe clip. The pre-tensioning of the pipe clip holds the pipes securely.
- The pipe clip RC is adapted to be fixed with either clip fixing SD or Hammerfix N 6.
- Manually place the ClipFix plus SD directly into the drill hole. No additional screws are needed.
- The Hammerfix N is expanded when the nail is driven in, and holds by friction in the drill hole.
- Temperature resistance once installed from -20 °C to +80 °C.



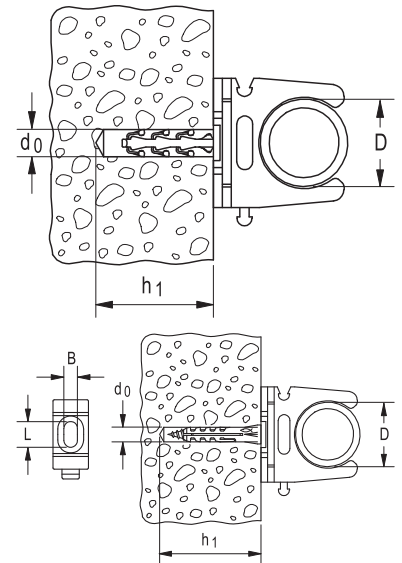
## TECHNICAL DATA



Clipfix plus pipe clip **RC**



Pipe clip **RC PG**



Item	Art.-No.	Drill hole	Min. drill hole depth	Suitable for IEC	Clamping range	Dimension of slot	Sales unit
		$d_0$ [Ø mm]	$h_1$ [mm]		D [mm]	B x L [mm]	
<b>SF plus RC IEC 12</b>	<b>048190</b>	6	35	12	12 - 13	6 x 7	100
<b>SF plus RC IEC 16</b>	<b>048191</b>	6	35	16	15 - 16	6 x 8	100
<b>SF plus RC IEC 20</b>	<b>048193</b>	6	35	20	20 - 21	6 x 10	100
<b>SF plus RC IEC 25</b>	<b>048197</b>	6	35	25	24 - 25	6 x 10	50
<b>SF plus RC IEC 32</b>	<b>048198</b>	6	35	32	31 - 32	6 x 10	25
<b>SF plus RC IEC 40</b>	<b>048199</b>	6	35	40	38 - 40	6 x 10	25
<b>RC IEC 12</b>	<b>058194</b>	–	–	12	12 - 13	6 x 7	100
<b>RC IEC 16</b>	<b>058120</b>	–	–	16	15 - 16	6 x 8	100
<b>RC IEC 20</b>	<b>058122</b>	–	–	20	20 - 21	6 x 10	100
<b>RC IEC 25</b>	<b>058198</b>	–	–	25	24 - 25	6 x 10	50
<b>RC IEC 32</b>	<b>058199</b>	–	–	32	31 - 32	6 x 10	40
<b>RC IEC 40</b>	<b>058200</b>	–	–	40	39 - 40	6 x 10	40
<b>RC IEC 50</b>	<b>079194</b> <sup>1</sup>	–	–	50	50 - 51	6 x 10	20
<b>RC IEC 63</b>	<b>079196</b> <sup>1</sup>	–	–	63	62 - 64	6 x 10	15

1) Does not include latching catches, therefore cannot be mounted side by side.