

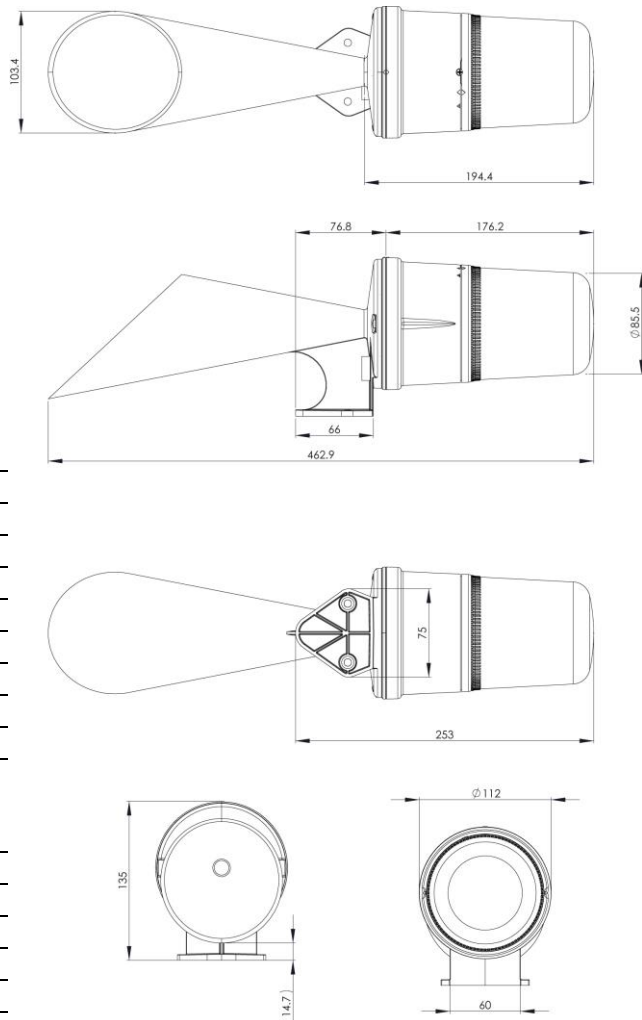
Electronic Alarm Horn with LED-Multifunction light H110TL

Comax
Signaltechnik



General information

Universal electronic alarm horn with trumpet and LED Multifunction light for manifold uses. Three different tones selectable. Volume control. LED light in 6 different colours and with 9 different modes such as revolving flash light, flash light or steady light. Separate control of horn and LED signal light. Wide range of nominal tensions in AC and DC. High degree of protection IP65.



Technical data

Case	ABS, shock-resistant
Colour of case	light grey
Lens	PC, shock-resistant
Colours of lens/LED	Red, amber, blue, green, yellow, clear
Degree of protection	IP65 according to EN60529
Temperature range	-25°C to +50 °C
Duty cycle	continuous operation
LED Multifunction light	16 high power LED's with 9 different modes such as revolving flash light, flash light or steady light
Tones	buzzer alternate tone 1200/500Hz, 1Hz alternate tone 800/1000Hz, 7Hz
Connection	
- cable entry	5-7mm Ø push-through grommet
- cable installation	flush or surface mounting
- lead	terminal up to 0,5 - 1,5mm ²
Weight	approx. 0.606 kg

Order data

Item number	Rated voltage	Sound intensity level	Current consumption	Type
H110TL.024.2*	10-30VDC	approx. 110dB(A), 1m	horn: 105mA at 24VDC LED: 130mA at 24VDC	with trumpet
H110TL.048.2*	48VDC	approx. 110dB(A), 1m	horn: 42mA at 48VDC LED: 70mA at 48VDC	with trumpet
H110TL.230.7*	90-260VAC	approx. 110dB(A), 1m	horn: 18mA at 230VAC LED: 50mA at 230VAC	with trumpet

Colours of lens 1= red, 2= amber, 3= yellow, 4= green, 5= blue, 7 = clear

Subject to change without prior notice



Comax
Signaltechnik

Comax Industrielle Signaltechnik AG, Römerstrasse 6/Postfach, CH-4512 Bellach/Schweiz
Tel +41-(0)32-617 31 41 Fax +41-(0)32-617 31 40 e-mail: mail@comax.ch internet: www.comax.ch

E_H110TL_REV1_22_06_2016