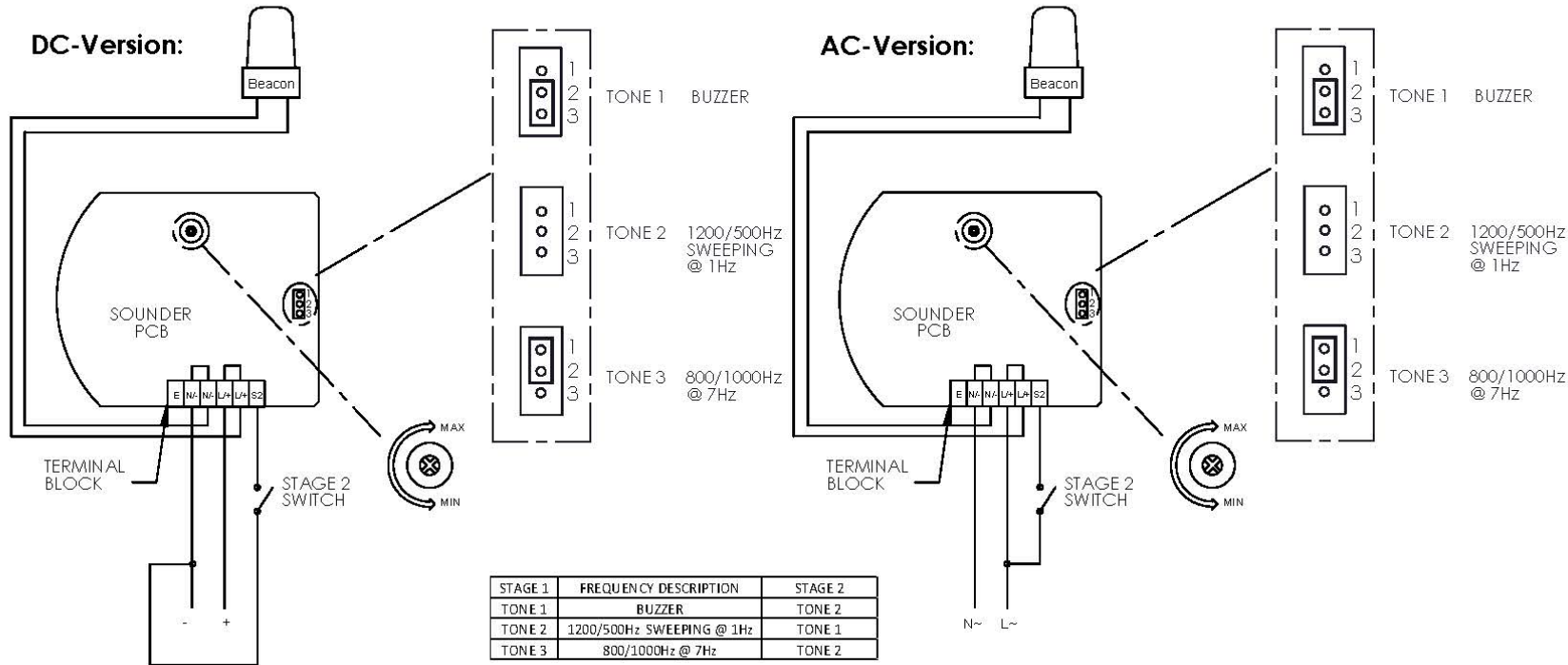


Installation/Anschluss
 Installation/Raccordement
 Installation/Connection

H110TL

Instalationsanleitung_H110TL_REV1_07_11_2017.pdf



Trumpet Horn LED Array
 IP Rating: IP65
 Temp: -25°C to +50°C
 Unit weight: 606g
 CE

- 12V dc 52mA
- 24V dc 105mA
- Beacon Current Consumption
- 12V dc 265mA
- 24V dc 130mA
- 48V dc 42mA
- Beacon Current Consumption
- 48V dc 70mA
- 115V dc 16mA
- 230V dc 8mA
- 115V ac 50/60Hz 36mA
- 230V ac 50/60Hz 18mA
- Beacon Current Consumption
- 115V dc 17mA
- 230V dc 9mA
- 115V ac 50/60Hz 90mA
- 230V ac 50/60Hz 50mA

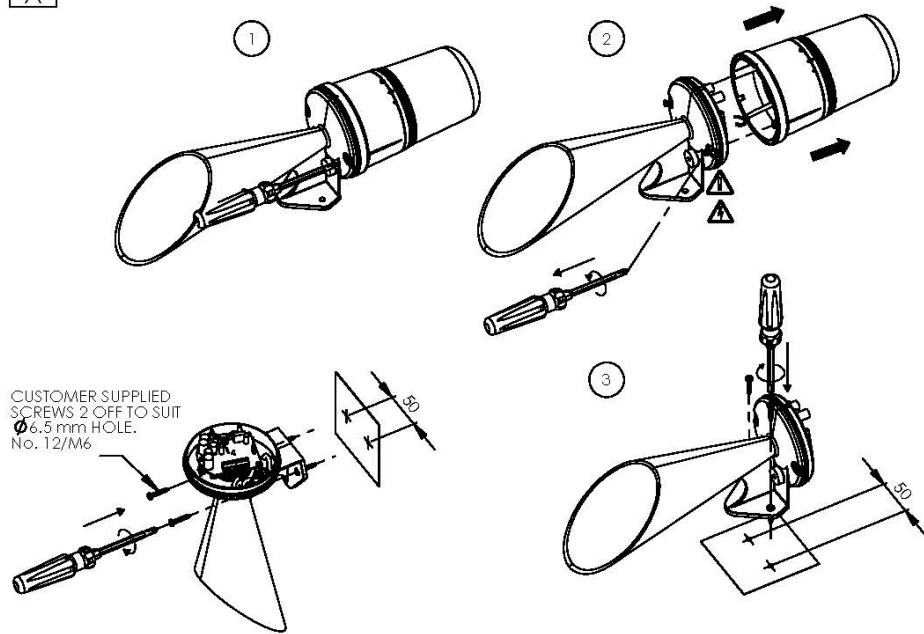
Dimensions : 135 x 462.9mm
 1.5mm² terminals
 Cable entry: 1 x 5-7mm push through grommet

x = Lens colour
 R = Red A = Amber
 B = Blue C = Clear
 G = Green Y = Yellow

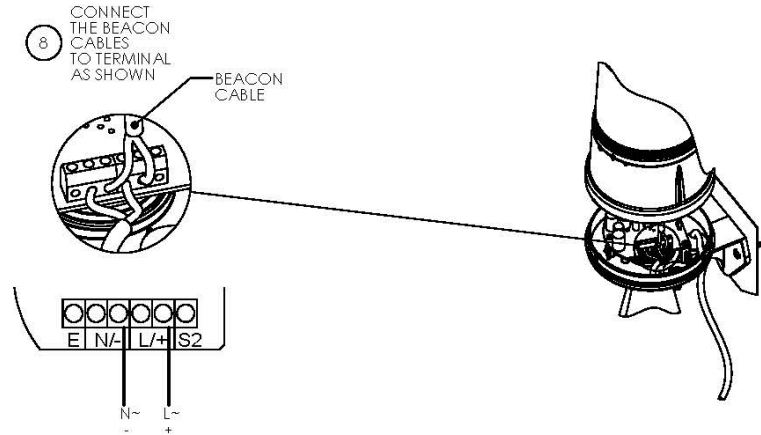


Lebensgefahr durch elektrischen Strom! Dieses Gerät darf nur durch autorisierte Elektrofachkräfte und elektrotechnisch unterwiesene Personen montiert und angeschlossen werden.
Electric current! Danger to life! Only authorized or instructed persons may assemble and install this device.
Tension électrique dangereuse! Seuls les personnes averties sont autorisées d'assembler et d'installer ces produits.

A

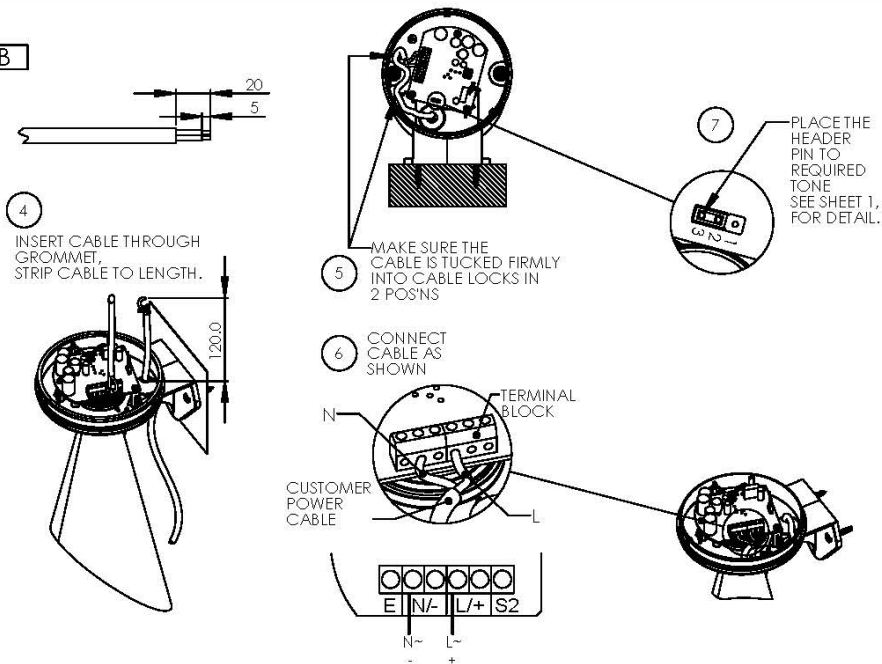


C



TERMINAL BLOCK	A/C INPUT	D/C INPUT
E		
N/-	N~	-
N/-	N~(FROM BEACON)	-(FROM BEACON)
L/+	L~	+
L/+	L~(FROM BEACON)	+(FROM BEACON)
S2	SWITCH TO L~	SWITCH TO -

B



D

