

Strobe light BLS5/15

Comax
Signaltechnik

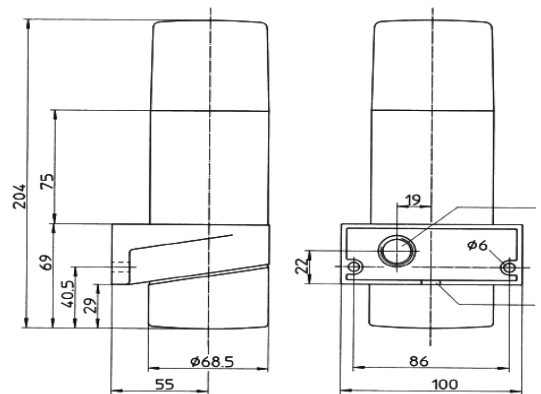
General information

Strobe light suitable for many applications: from safety technology to industrial automation and mechanical engineering. IP54



Technical data

Case	ABS, light grey
Dome	Polycarbonate
-colour	red, orange, yellow, green, blue, clear
Operating life	approx. 2800 hours
Cable gland	M16
Duty cycle	continuous operation
Flash frequency	60 flashes/min.
System of protection	IP 54 according to EN 60529
Mounting direction	unlimited
Temperature range	-30°C to +50°C
Weight	approx. 0.7 kg



Order data

Item number	Rated voltage	Joules	Current consumption
BLS15.024.2*	16-32VDC	15 Joule 50-60 Hz	0.90 A
BLS15.230.7*	230 VAC	15 Joule 50-60 Hz	0.11 A
BLS5.012.2*	9-16VDC	5 Joule 50-60 Hz	0.80 A
BLS5.024.2*	15-32VDC	5 Joule 50-60 Hz	0.30 A
BLS5.024.7*	15-32VAC	5 Joule 50-60 Hz	0.40 A
BLS5.230.7*	230 VAC	5 Joule 50-60 Hz	0.07 A

* Dome colours 1 = red, 2 = orange, 3 = yellow, 4 = green, 5 = blue, 7 = clear

Subject to change without prior notice



Comax
Signaltechnik

Comax Industrielle Signaltechnik AG, Römerstrasse 6/Postfach, CH-4512 Bellach/Schweiz
Tel +41-(0)32-617 31 41 Fax +41-(0)32-617 31 40 e-mail: mail@comax.ch internet: www.comax.ch