

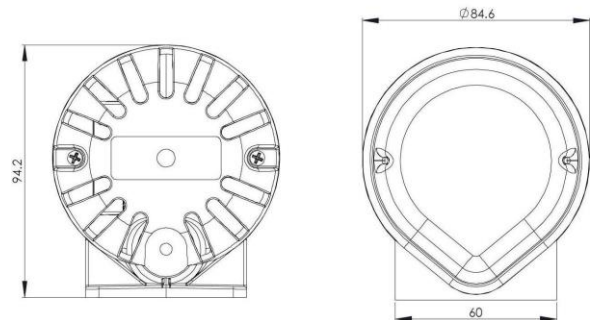
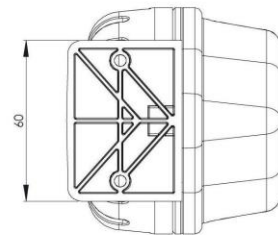
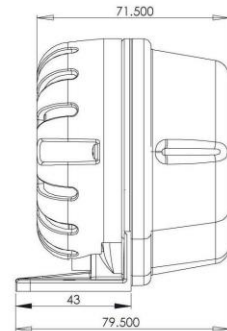
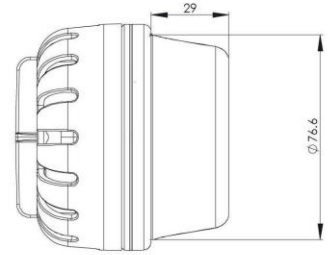
# Electronic Alarm Horn H100B

**Comax**  
**Signaltechnik**



### General information

Compact electronic alarm horn without trumpet for manifold uses. Three different tones selectable. Volume control. Wide nominal tension range in AC and DC. High degree of protection IP65.



### Technical data

Case	ABS, shock-resistant
Colour of case	light grey
Degree of protection	IP65 according to EN60529
Temperature range	-25°C to +50°C
Duty cycle	continuous operation
Tones	buzzer
	Alternate tone 1200/500Hz, 1Hz
	Alternate tone 800/1000Hz, 7Hz
Connection	
- cable entry	5-7mm Ø push-through grommet
- cable installation	flush or surface mountin
- lead	terminal up to 0,5 - 1,5mm <sup>2</sup>
Weight	approx. 0.118 kg

### Order data

Item number	Rated voltage	Sound intensity level	Current consumption	Type
H100B.024.3	12-30VAC/VDC	approx. 100dB(A), 1m	24mA at 24VDC	without trumpet
H100B.230.3	40-260VAC/VDC	approx. 100dB(A), 1m	10mA at 230VAC	without trumpet

Subject to change without prior notice



**Comax**  
**Signaltechnik**

Comax Industrielle Signaltechnik AG, Römerstrasse 6/Postfach, CH-4512 Bellach/Schweiz  
Tel +41-(0)32-617 31 41 Fax +41-(0)32-617 31 40 e-mail: [mail@comax.ch](mailto:mail@comax.ch) internet: [www.comax.ch](http://www.comax.ch)