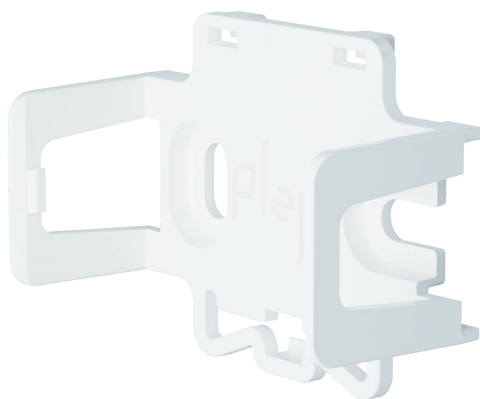


Mounting clip

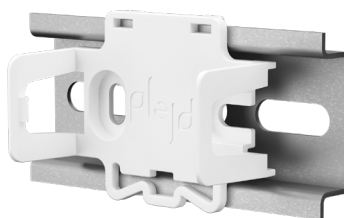
MNT-01



Mounting clip enables any Plejd puck to be mounted on a DIN rail or a wall.

Compatible with:

- | | |
|------------------|-----------|
| Dimmer LED | DIM-01 |
| 2-channel dimmer | DIM-02 |
| Dimmer 1-10 V | CTR-01 |
| 2-channel relay | REL-02 |
| LED driver 10 W | LED-10 |
| Relay 16 A | REL-01-2P |
| Dimmer 2-pole | DIM-01-2P |
| DALI Broadcast | DAL-01 |



DIMENSIONS
50x38x24 mm
Width on DIN rail: 3u

PACKAGING
Contains 10 clips.