

Product Card

Socket outlet, Jussi IP54/55, 1-gang Schuko, shuttered, screwless terminals



Socket outlet

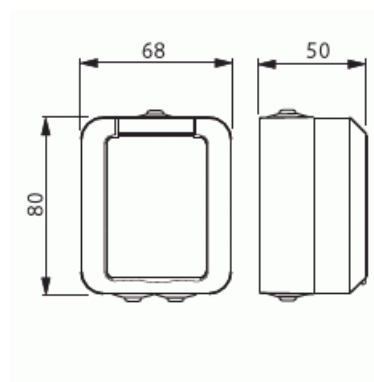
Socket outlet, Jussi IP54/55, 1-gang Schuko, shuttered, screwless terminals

Type: 20ESW

GTIN: 6418677334603



There are terminals for each contact of the socket outlet. The terminals are for max 2 rigid wires.



Technical specification

General Information

Product ID: 2TKA000678G1

Electrical quantities

Rated current: 16 A

Rated voltage: 250 V

Classification

Enclosure class: IP55

Product Card

Socket outlet, Jussi IP54/55, 1-gang Schuko, shuttered, screwless terminals



Packing

Package:	10/100
Unit:	PCS

ETIM Data

Number of active pins (round):	2
With signal lamp:	No
Number of units:	1
Number of phases:	1
Imprint/indication:	None
Connection type:	Push-in clamp
With hinged lid:	No
With enhanced contact protection:	Yes
Label space/information surface:	No
Colour:	White
RAL-number (similar):	9010
Metallic colour:	No
Transparent:	No
Lockable:	No
Eject-mechanism:	No
Insulated mounting:	No
With function lighting:	No
With orientation lighting:	No
Over voltage protection:	No
Fault current protection:	No
With miniature fuse:	No
Special power supply:	No special power supply
Mounting method:	Surface mounted (plaster)
Type of fastening:	Mounting with screw
Material:	Plastic
Material quality:	Thermoplastic
Halogen free:	Yes
Surface protection:	Untreated

Product Card

Socket outlet, Jussi IP54/55, 1-gang Schuko, shuttered, screwless terminals



Surface finishing:	Glossy
Anti-bacterial treatment:	No
With loop through function:	No
With on/off switch:	No
Rotated central insert:	No
Nominal current:	16 A
Nominal voltage:	250 V
Frequency:	50 Hz
Suitable for degree of protection (IP):	IP55
Device width:	68 mm
Device height:	50 mm
Device depth:	80 mm
Min. depth of built-in installation box:	28 mm